

T15

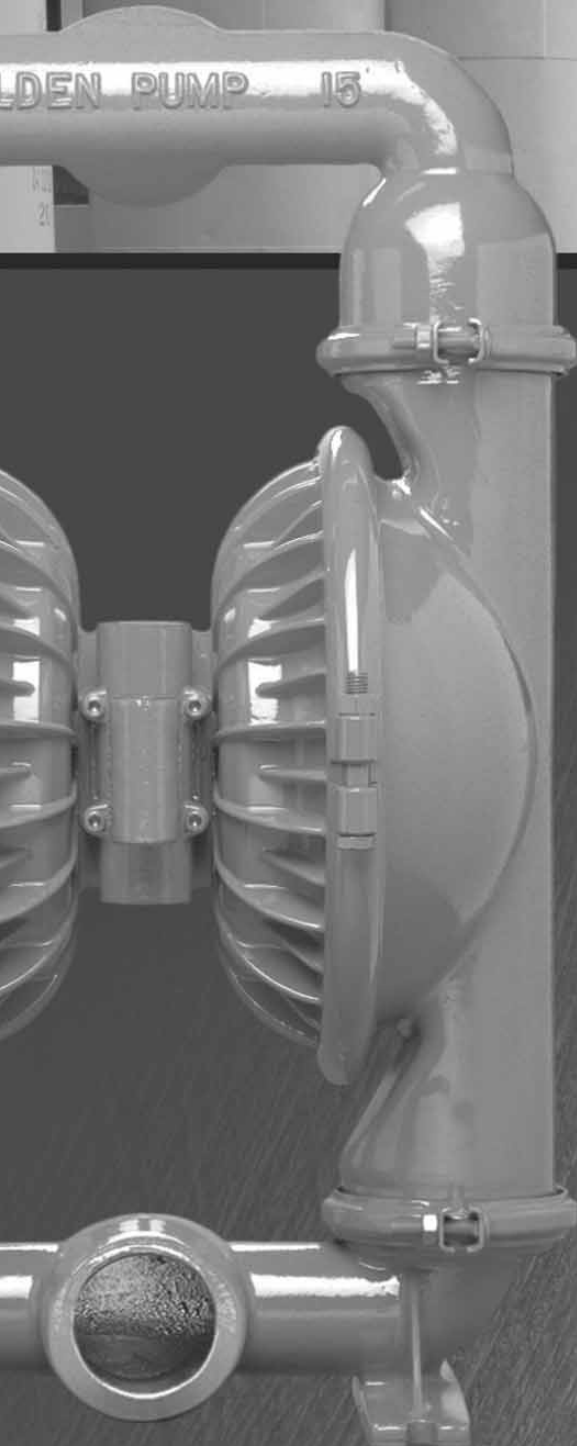
Original™ Series **METAL** Pumps

EOM

Engineering
Operation &
Maintenance



Simplify your process



TURBO-FLO™
PROGRESSIVE PUMP TECHNOLOGY

WILDEN®

A **DOVER** COMPANY



WIL-10252-E-01

TABLE OF CONTENTS

SECTION 1 CAUTIONS—READ FIRST! 1

SECTION 2 WILDEN PUMP DESIGNATION SYSTEM 2

SECTION 3 HOW IT WORKS—PUMP & AIR DISTRIBUTION SYSTEM 3

SECTION 4 DIMENSIONAL DRAWINGS 4

SECTION 5 PERFORMANCE

 A. T15 Metal - Rubber-Fitted 5

 T15 Metal - TPE-Fitted 5

 T15 Metal - PTFE-Fitted 6

 B. Suction Lift Curves 7

SECTION 6 SUGGESTED INSTALLATION, OPERATION & TROUBLESHOOTING 8

SECTION 7 ASSEMBLY / DISASSEMBLY 11

 Air Valve/Center Block Disassembly 14

 Reassembly Hints & Tips 16

 Gasket Kit Installation 17

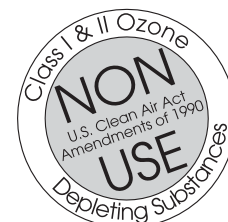
SECTION 8 EXPLODED VIEW & PARTS LISTING

 T15 Metal

 Rubber/TPE-Fitted 18

 PTFE-Fitted 22

SECTION 9 ELASTOMER OPTIONS 24



CAUTIONS—READ FIRST!



TEMPERATURE LIMITS:

Neoprene	-17.8°C to 93.3°C	0°F to 200°F
Buna-N	-12.2°C to 82.2°C	10°F to 180°F
EPDM	-51.1°C to 137.8°C	-60°F to 280°F
Viton®	-40°C to 176.7°C	-40°F to 350°F
Wil-Flex™	-40°C to 107.2°C	-40°F to 225°F
Polyurethane	12.2°C to 65.6°C	10°F to 150°F
Saniflex™	-28.9°C to 104.4°C	-20°F to 220°F
PTFE	4.4°C to 104.4°C	40° F to 220°F
Fluoro-Seal™	-40°C to 232°C	-40°F to 450°F



CAUTION: When choosing pump materials, be sure to check the temperature limits for all wetted components. Example: Viton® has a maximum limit of 176.7°C (350°F) but polypropylene has a maximum limit of only 79°C (175°F).



CAUTION: Maximum temperature limits are based upon mechanical stress only. Certain chemicals will significantly reduce maximum safe operating temperatures. Consult engineering guide for chemical compatibility and temperature limits.



CAUTION: Always wear safety glasses when operating pump. If diaphragm rupture occurs, material being pumped may be forced out air exhaust.



WARNING: Prevention of static sparking — If static sparking occurs, fire or explosion could result. Pump, valves, and containers must be properly grounded when handling flammable fluids and whenever discharge of static electricity is a hazard.



CAUTION: Do not exceed 8.6 bar (125 psig) air supply pressure. (3.4 bar [50 psig] on UL models.)



CAUTION: Before any maintenance or repair is attempted, the compressed air line to the pump should be disconnected and all air pressure allowed to bleed from pump. Disconnect all intake, discharge and air lines. Drain the pump by turning it upside down and allowing any fluid to flow into a suitable container.



CAUTION: Blow out air line for 10 to 20 seconds before attaching to pump to make sure all pipe line debris is clear. Use an in-line air filter. A 5 μ (micron) air filter is recommended.



NOTE: When installing PTFE diaphragms, it is important to tighten outer pistons simultaneously (turning in opposite directions) to ensure tight fit.



WARNING: Tighten all clamp bands and retainers prior to installation. Fittings may loosen during transportation.



NOTE: Before starting disassembly, mark a line from each liquid chamber to its corresponding air chamber. This line will assist in proper alignment during reassembly.



CAUTION: Verify the chemical compatibility of the process and cleaning fluid to the pump's component materials in the Chemical Resistance Guide (see E4).



CAUTION: When removing the end cap using compressed air, the air valve end cap may come out with considerable force. Hand protection such as a padded glove or rag should be used to capture the end cap.



NOTE: All non lube-free air-operated pumps must be lubricated. Wilden suggests an arctic 5 weight oil (ISO grade 15). Do not over-lubricate pump. Over-lubrication will reduce pump performance.



NOTE: UL-listed pumps must not exceed 3.4 bar (50 psig) air supply pressure.



CAUTION: Only explosion proof (NEMA 7) solenoid valves should be used in areas where explosion proof equipment is required.



CAUTION: Do not hang Stallion models by their handles.

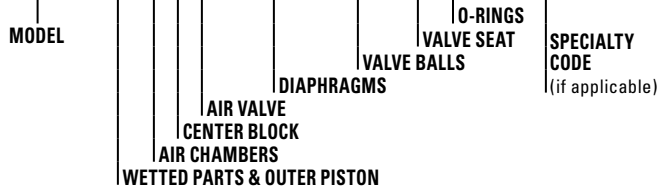
WILDEN PUMP DESIGNATION SYSTEM

**T15 ORIGINAL™
METAL**

**76 mm (3") Pump
Maximum Flow Rate:
878 lpm (232 gpm)**

LEGEND

T15 / XXXXX / XXX / XX / XXX / XXXX



MATERIAL CODES

MODEL

T15 = 76 MM (3")

WETTED PARTS & OUTER PISTON

AA = ALUMINUM / ALUMINUM
WW = CAST IRON / CAST IRON

AIR CHAMBERS

A = ALUMINUM

CENTER BLOCK

A = ALUMINUM
P = POLYPROPYLENE

AIR VALVE

B = BRASS

DIAPHRAGMS

XBS = CONDUCTIVE BUNA-N (Two Red Dots)
BNS = BUNA-N (Red Dot)
FSS = SANIFLEX™ [Hytrel® (Cream)]
EPS = EPDM (Blue Dot)
NES = NEOPRENE (Green Dot)
PUS = POLYURETHANE (Clear)
TEU = PTFE W/EPDM BACK-UP (White)
TNU = PTFE W/NEOPRENE BACK-UP (White)
TSU = PTFE W/SANIFLEX™ BACK-UP (White)
BNU = BUNA-N, ULTRA-FLEX™
EPU = EPDM, ULTRA-FLEX™
NEU = NEOPRENE, ULTRA-FLEX™
VTU = VITON®, ULTRA-FLEX™
VTS = VITON® (White Dot)
WFS = WIL-FLEX™ [Santoprene® (Orange Dot)]

VALVE BALL

BN = BUNA-N (Red Dot)
FS = SANIFLEX™ [Hytrel® (Cream)]
EP = EPDM (Blue Dot)
NE = NEOPRENE (Green Dot)
PU = POLYURETHANE (Brown)
TF = PTFE (White)
VT = VITON® (White Dot)
WF = WIL-FLEX™ [Santoprene® (Orange Dot)]

VALVE SEAT

A = ALUMINUM
BN = BUNA-N (Red Dot)
FS = SANIFLEX™ [Hytrel® (Cream)]
H = ALLOY C
M = MILD STEEL
EP = EPDM (Blue Dot)
NE = NEOPRENE (Green Dot)
PU = POLYURETHANE (Brown)
S = STAINLESS STEEL
VT = VITON® (White Dot)
WF = WIL-FLEX™ [Santoprene® (Orange Dot)]

*Valve seat o-ring required.

VALVE SEAT O-RING

FS = FLUORO-SEAL™
TF = PTFE (White)

SPECIALTY CODES

- 0014 BSPT
- 0017 BSPT, unpainted
- 0030 Screen based
- 0036 Screen based, BSPT
- 0039 Screen based, polyurethane screen
- 0044 Stallion®, balls & seats ONLY
- 0045 Stallion®, shaft & bumpers ONLY
- 0046 Stallion®, internals, BSPT
- 0048 Stallion®, internals
- 0049 Stallion®, aluminum screen base
- 0050 Stallion®

- 0051 Stallion®, BSPT
- 0053 Stallion®, footed, BSPT
- 0054 Stallion®, footed
- 0112 Stallion®, footed, spark free, without handles
- 0113 Stallion®, internals, spark free, BSPT
- 0115 Stallion®, footed, spark free, BSPT, without handles
- 0116 Stallion®, BSPT, without handles
- 0117 Stallion®, footed, BSPT, without handles
- 0231 Stallion®, externals (screen & handles)
- 0233 Stallion®, externals (screen & handles), BSPT

NOTE: MOST ELASTOMERIC MATERIALS USE COLORED DOTS FOR IDENTIFICATION.

Viton® is a registered trademarks of DuPont Dow Elastomers.

HOW IT WORKS—PUMP

The Wilden diaphragm pump is an air-operated, positive displacement, self-priming pump. These drawings show the flow pattern through the pump upon its initial stroke. It is assumed the pump has no fluid in it prior to its initial stroke.

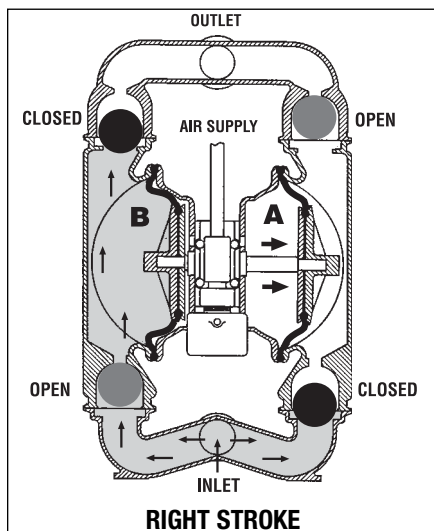


FIGURE 1 The air valve directs pressurized air to the back side of diaphragm A. The compressed air is applied directly to the liquid column separated by elastomeric diaphragms. The diaphragm acts as a separation membrane between the compressed air and liquid, balancing the load and removing mechanical stress from the diaphragm. The compressed air moves the diaphragm away from the center block of the pump. The opposite diaphragm is pulled in by the shaft connected to the pressurized diaphragm. Diaphragm B is on its suction stroke; air behind the diaphragm has been forced out to the atmosphere through the exhaust port of the pump. The movement of diaphragm B toward the center block of the pump creates a vacuum within chamber B. Atmospheric pressure forces fluid into the inlet manifold forcing the inlet valve ball off its seat. Liquid is free to move past the inlet valve ball and fill the liquid chamber (see shaded area).

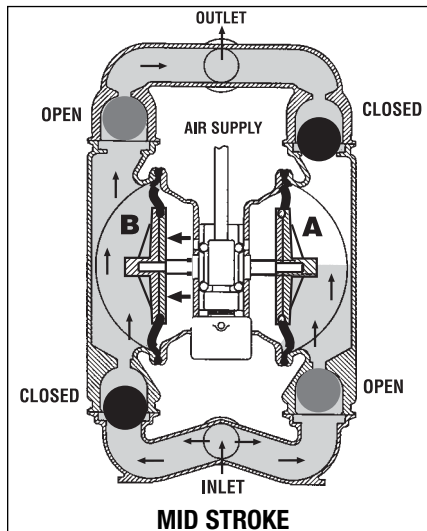


FIGURE 2 When the pressurized diaphragm, diaphragm A, reaches the limit of its discharge stroke, the air valve redirects pressurized air to the back side of diaphragm B. The pressurized air forces diaphragm B away from the center block while pulling diaphragm A to the center block. Diaphragm B is now on its discharge stroke. Diaphragm B forces the inlet valve ball onto its seat due to the hydraulic forces developed in the liquid chamber and manifold of the pump. These same hydraulic forces lift the discharge valve ball off its seat, while the opposite discharge valve ball is forced onto its seat, forcing fluid to flow through the pump discharge. The movement of diaphragm A toward the center block of the pump creates a vacuum within liquid chamber A. Atmospheric pressure forces fluid into the inlet manifold of the pump. The inlet valve ball is forced off its seat allowing the fluid being pumped to fill the liquid chamber.

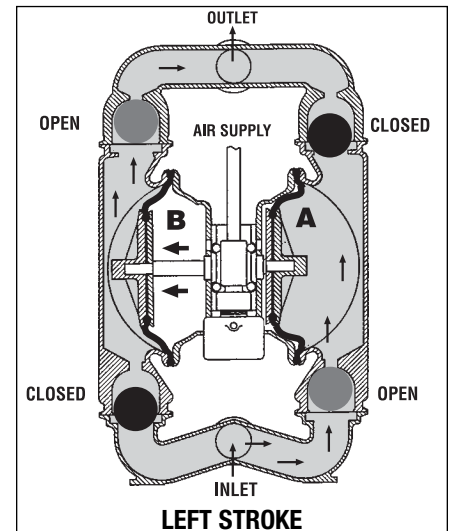
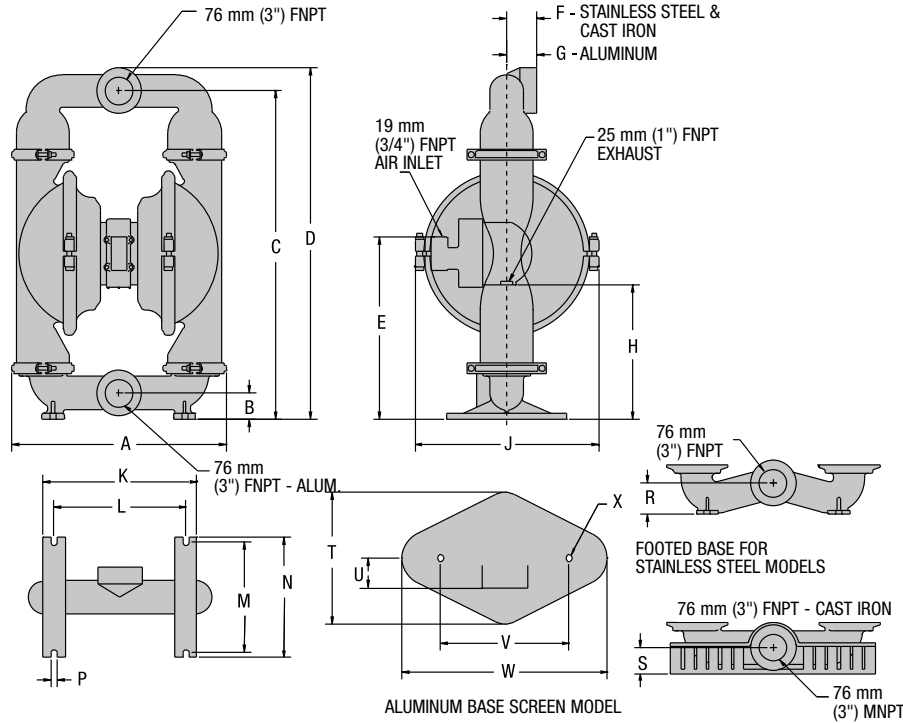


FIGURE 3 At completion of the stroke, the air valve again redirects air to the back side of diaphragm A, which starts diaphragm B on its exhaust stroke. As the pump reaches its original starting point, each diaphragm has gone through one exhaust and one discharge stroke. This constitutes one complete pumping cycle. The pump may take several cycles to completely prime depending on the conditions of the application.

DIMENSIONAL DRAWINGS

T15 Metal

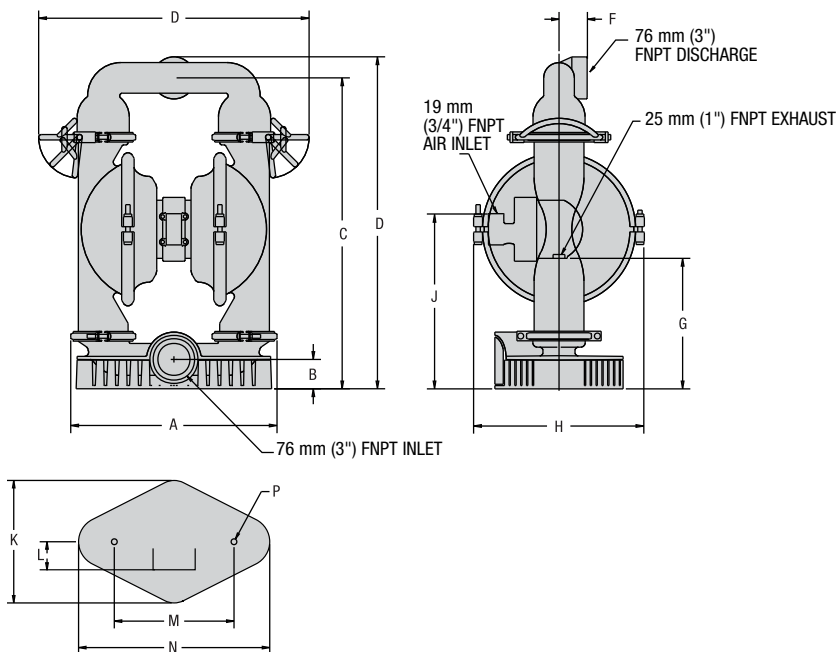


DIMENSIONS

ITEM	METRIC (mm)	STANDARD (inch)
A	505	19.9
B	58	2.3
C	762	30.0
D	823	32.4
E	419	16.5
F	71	2.8
G	69	2.7
H	312	12.3
J	427	16.8
K	361	14.2
L	305	12.0
M	259	10.2
N	282	11.1
P	15	0.6
R	71	2.8
S	66	2.6
T	305	12.0
U	43	1.7
V	305	12.0
W	478	18.8
X	Ø15	Ø0.6

BSP threads available.

T15 Metal Stallion



DIMENSIONS

ITEM	METRIC (mm)	STANDARD (inch)
A	505	19.9
B	71	2.8
C	775	30.5
D	836	32.9
E	737	29.0
F	69	2.7
G	325	12.8
H	427	16.8
J	432	17.0
K	310	12.2
L	43	1.7
M	305	12.0
N	480	18.9
P	Ø15	Ø0.6

PERFORMANCE

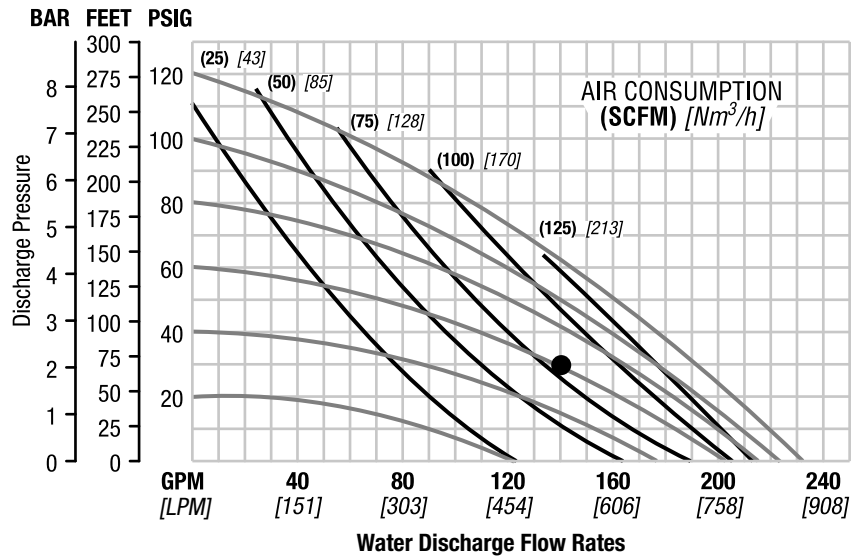
**T15 METAL
RUBBER-FITTED**

Height..... 810 mm (31.9")
 Width..... 432 mm (17.0")
 Depth 279 mm (11.0")
 Est. Ship Weight..... Aluminum 53 kg (116 lbs)
 Cast Iron 91 kg (200 lbs)
 316 Stainless Steel 79 kg (175 lbs)
 Air Inlet..... 19 mm (3/4")
 Inlet..... 76 mm (3")
 Outlet 76 mm (3")
 Suction Lift..... 5.5 m Dry (18')
 9.45 m Wet (31')
 Displacement/Stroke 5.3 l (1.40 gal.)¹
 Max. Flow Rate..... 878 lpm (232 gpm)
 Max. Size Solids 10 mm (3/8")

¹Displacement per stroke was calculated at 4.8 bar (70 psig) air inlet pressure against a 2 bar (30 psig) head pressure.

Example: To pump 530 lpm (140 gpm) against a discharge pressure head of 2.1 bar (30 psig) requires 4.1 bar (60 psig) and 136 Nm³/h (80 scfm) air consumption. (See dot on chart.)

Caution: Do not exceed 8.6 bar (125 psig) air supply pressure.



Flow rates indicated on chart were determined by pumping water.

For optimum life and performance, pumps should be specified so that daily operation parameters will fall in the center of the pump performance curve.

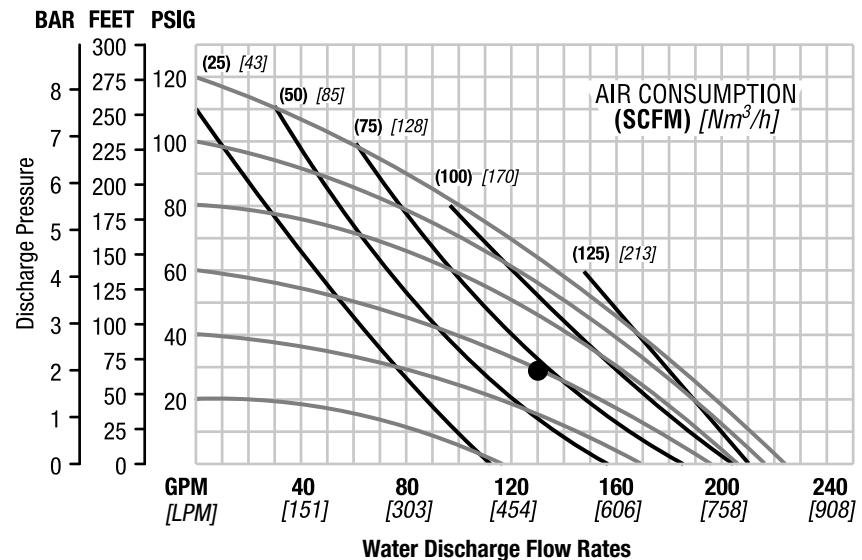
**T15 METAL
TPE-FITTED**

Height..... 810 mm (31.9")
 Width..... 432 mm (17.0")
 Depth 279 mm (11.0")
 Est. Ship Weight..... Aluminum 53 kg (116 lbs)
 Cast Iron 91 kg (200 lbs)
 316 Stainless Steel 79 kg (175 lbs)
 Air Inlet..... 19 mm (3/4")
 Inlet..... 76 mm (3")
 Outlet 76 mm (3")
 Suction Lift..... 3.49 m Dry (13')
 8.53 m Wet (28')
 Displacement/Stroke 5.4 l (1.43 gal.)¹
 Max. Flow Rate..... 845 lpm (223 gpm)
 Max. Size Solids 10 mm (3/8")

¹Displacement per stroke was calculated at 4.8 bar (70 psig) air inlet pressure against a 2 bar (30 psig) head pressure.

Example: To pump 492 lpm (130 gpm) against a discharge pressure head of 2.1 bar (30 psig) requires 4.1 bar (60 psig) and 119 Nm³/h (70 scfm) air consumption. (See dot on chart.)

Caution: Do not exceed 8.6 bar (125 psig) air supply pressure.



Flow rates indicated on chart were determined by pumping water.

For optimum life and performance, pumps should be specified so that daily operation parameters will fall in the center of the pump performance curve.

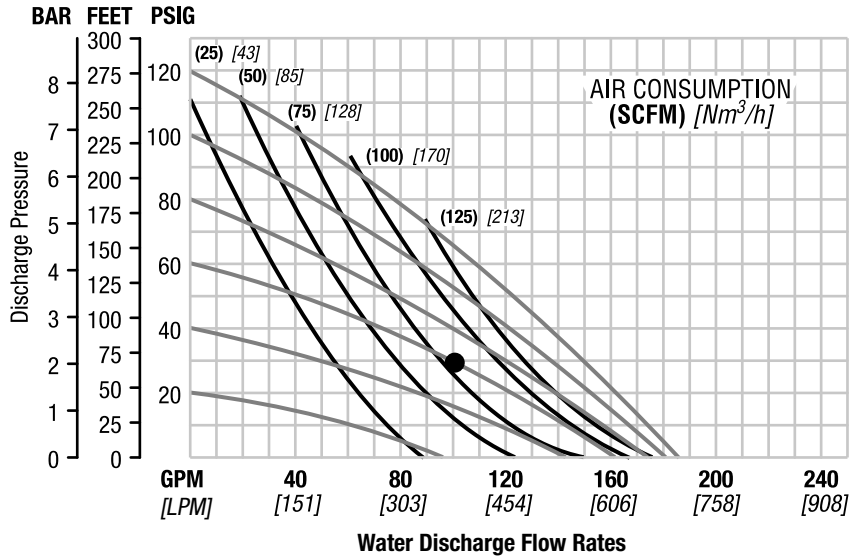
**T115 METAL
PTFE-FITTED**

Height..... 810 mm (31.9")
 Width..... 432 mm (17.0")
 Depth 279 mm (11.0")
 Est. Ship Weight..... Aluminum 53 kg (116 lbs)
 Cast Iron 91 kg (200 lbs)
 316 Stainless Steel 79 kg (175 lbs)
 Air Inlet..... 19 mm (3/4")
 Inlet..... 76 mm (3")
 Outlet 76 mm (3")
 Suction Lift 3.49 m Dry (13')
 8.53 m Wet (28')
 Displacement/Stroke 3.6 l (0.95 gal.)¹
 Max. Flow Rate..... 704 lpm (186 gpm)
 Max. Size Solids 10 mm (3/8")

¹Displacement per stroke was calculated at 4.8 bar (70 psig) air inlet pressure against a 2 bar (30 psig) head pressure.

Example: To pump 378 lpm (100 gpm) against a discharge pressure head of 2.1 bar (30 psig) requires 4.1 bar (60 psig) and 136 Nm³/h (80 scfm) air consumption. (See dot on chart.)

Caution: Do not exceed 8.6 bar (125 psig) air supply pressure.



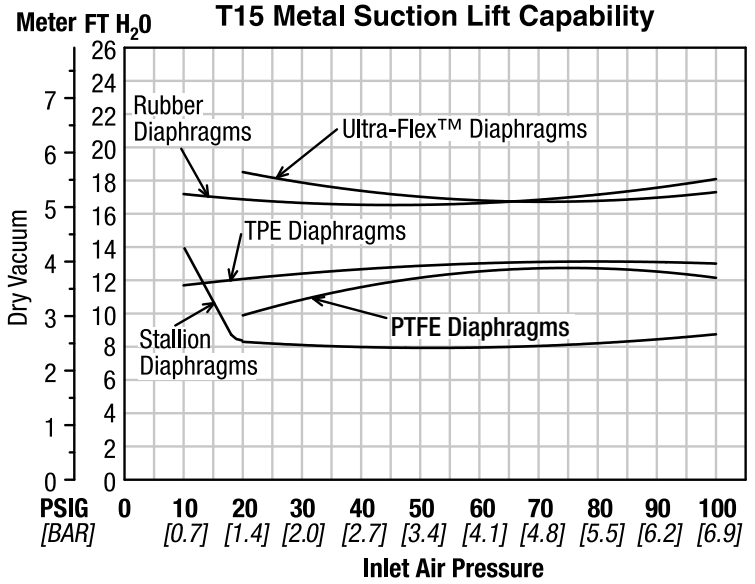
Flow rates indicated on chart were determined by pumping water.

For optimum life and performance, pumps should be specified so that daily operation parameters will fall in the center of the pump performance curve.

SUCTION LIFT CURVE

**T15 METAL
SUCTION LIFT CAPABILITY**

Suction lift curves are calibrated for pumps operating at 305 m (1,000') above sea level. This chart is meant to be a guide only. There are many variables which can affect your pump's operating characteristics. The number of intake and discharge elbows, viscosity of pumping fluid, elevation (atmospheric pressure) and pipe friction loss all affect the amount of suction lift your pump will attain.



SUGGESTED INSTALLATION

The Model T15 Metal pump has a 76 mm (3") inlet and 76 mm (3") outlet and is designed for flows to 878 lpm (232 gpm). The T15 Metal pump is manufactured with wetted parts of aluminum, cast iron or 316 Stainless Steel. The center block of the T15 Metal is constructed of glass-filled polypropylene, aluminum, nickel-plated aluminum, PTFE-coated aluminum or 316 Stainless Steel. A variety of diaphragms, valve balls, and o-rings are available to satisfy temperature, chemical compatibility, abrasion and flex concerns.

The suction pipe size should be at least 76 mm (3") diameter or larger if highly viscous material is being pumped. The suction hose must be non-collapsible, reinforced type as the T15 is capable of pulling a high vacuum. Discharge piping should be at least 76 mm (3"); larger diameter can be used to reduce friction losses. It is critical that all fittings and connections are airtight or a reduction or loss of pump suction capability will result.

INSTALLATION: Months of careful planning, study, and selection efforts can result in unsatisfactory pump performance if installation details are left to chance.

Premature failure and long term dissatisfaction can be avoided if reasonable care is exercised throughout the installation process.

LOCATION: Noise, safety, and other logistical factors usually dictate that "utility" equipment be situated away from the production floor. Multiple installations with conflicting requirements can result in congestion of utility areas, leaving few choices for siting of additional pumps.

Within the framework of these and other existing conditions, every pump should be located in such a way that five key factors are balanced against each other to maximum advantage.

ACCESS: First of all, the location should be accessible. If it's easy to reach the pump, maintenance personnel will have an easier time carrying out routine inspections and adjustments. Should major repairs become necessary, ease of access can play a key role in speeding the repair process and reducing total downtime.

AIR SUPPLY: Every pump location should have an air line large enough to supply the volume of air necessary to achieve the desired pumping rate (see Section 5). Use air pressure up to a maximum of 8.6 bar (125 psig) depending upon pumping requirements.

For best results, the pumps should use a 5 micron air filter, needle valve and regulator. The use of an air filter before the pump will insure that the majority of any pipeline contaminants will be eliminated.

SOLENOID OPERATION: When operation is controlled by a solenoid valve in the air line, three-way valves should be used, thus allowing trapped air to bleed off and improving pump performance. Pumping volume can be set by counting the number of strokes per minute and multiplying by displacement per stroke.

MUFFLER: Sound levels are reduced below OSHA specifications using the standard Wilden muffler element. Other mufflers can be used to further reduce sound levels, but they usually reduce pump performance.

ELEVATION: Selecting a site that is well within the pump's dynamic lift capability will assure that loss-of-prime troubles will be eliminated. In addition, pump efficiency can be adversely affected if proper attention is not given to elevation (see Section 5).

PIPING: Final determination of the pump site should not be made until the piping problems of each possible location have been evaluated. The impact of current and future installations should be considered ahead of time to make sure that inadvertent restrictions are not created for any remaining sites.

The best choice possible will be a site involving the shortest and the straightest hook-up of suction and discharge piping. Unnecessary elbows, bends, and fittings should be avoided. Pipe sizes should be selected so as to keep friction losses within practical limits. All piping should be supported independently of the pump. In addition, the piping should be aligned so as to avoid placing stresses on the pump fittings.

Expansion joints can be installed to aid in absorbing the forces created by the natural reciprocating action of the pump. If the pump is to be bolted down to a solid foundation, a mounting pad placed between the pump and foundation will assist in minimizing pump vibration. Flexible connections between the pump and rigid piping will also assist in minimizing pump vibration. If quick-closing valves are installed at any point in the discharge system, or if pulsation within a system becomes a problem, a surge suppressor should be installed to protect the pump, piping and gauges from surges and water hammer.

When pumps are installed in applications involving flooded suction or suction head pressures, a gate valve should be installed in the suction line to permit closing of the line for pump service.

The T15 can be used in submersible applications only when both wetted and non-wetted portions are compatible with the material being pumped. If the pump is to be used in a submersible application, a hose should be attached to the pump's air exhaust and the exhaust air piped above the liquid level.

If the pump is to be used in a self-priming application, be sure that all connections are airtight and that suction lift is within the pump's ability. Note: Materials of construction and elastomer material have an effect on suction lift parameters. Please refer to Section 6.

Pumps in service with a positive suction head are most efficient when inlet pressure is limited to 0.5–0.7 bar (7–10 psig). Premature diaphragm failure may occur if positive suction is 0.8 bar (11 psig) and higher.

THE MODEL T15 WILL PASS 10 mm (3/8") SOLIDS. THE T15 STALLION WILL PASS 25 mm (1") SOLIDS. WHENEVER THE POSSIBILITY EXISTS THAT LARGER SOLID OBJECTS MAY BE SUCKED INTO THE PUMP, A STRAINER SHOULD BE USED ON THE SUCTION LINE.

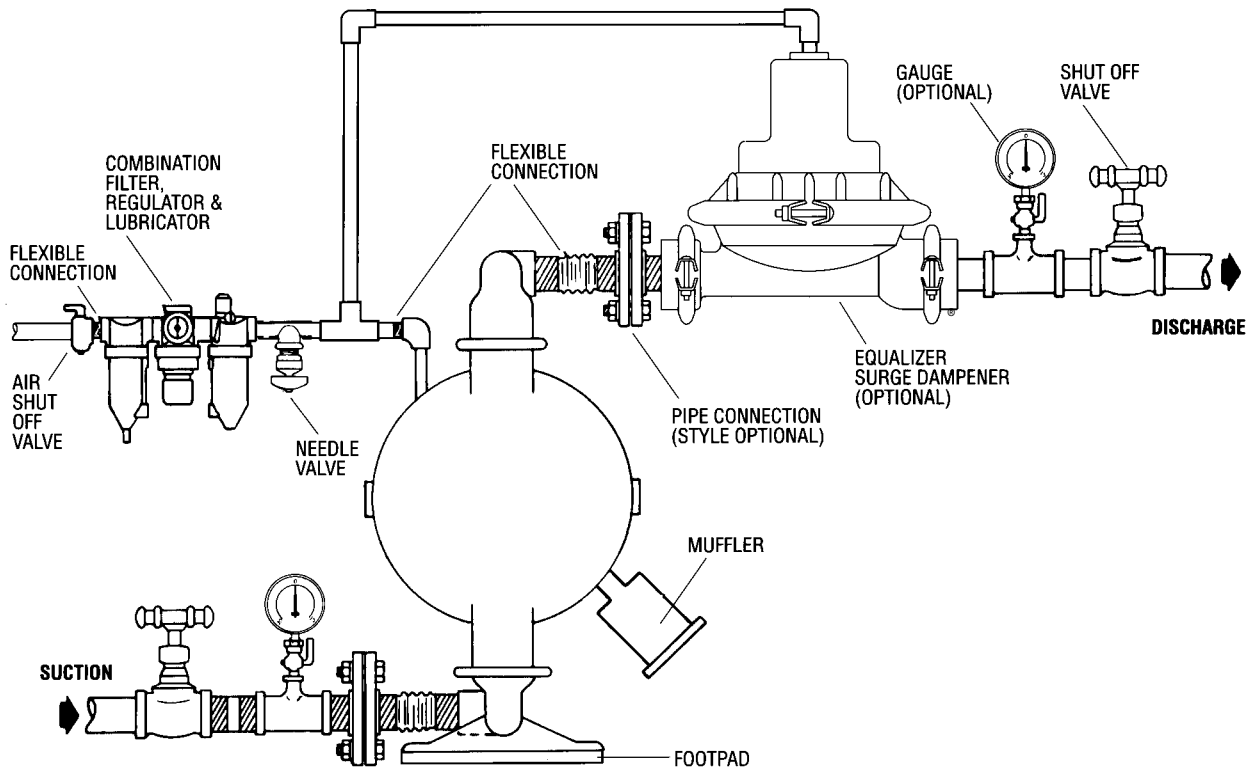
CAUTION: DO NOT EXCEED 8.6 BAR (125 PSIG) AIR SUPPLY PRESSURE. (3.4 BAR [50 PSIG] FOR UL MODELS.)

PUMPS SHOULD BE THOROUGHLY FLUSHED WITH WATER BEFORE INSTALLING INTO PROCESS LINES. FDA AND USDA PUMPS SHOULD BE CLEANED AND/OR SANITIZED BEFORE USE ON EDIBLE PRODUCTS.

BLOW OUT AIR LINE FOR 10 TO 20 SECONDS BEFORE ATTACHING TO PUMP TO MAKE SURE ALL PIPE LINE DEBRIS IS CLEAR. ALWAYS USE AN IN-LINE AIR FILTER.

CAUTION: DO NOT HANG T15 STALLION PUMPS BY THEIR HANDLES.

SUGGESTED INSTALLATION



NOTE: In the event of a power failure, the shutoff valve should be closed, if the restarting of the pump is not desirable once power is regained.

AIR OPERATED PUMPS: To stop the pump from operating in an emergency situation, simply close the “shut-off” valve (user supplied) installed in the air supply line. A properly functioning valve will stop the air supply to the pump, therefore stopping output. This shut-off valve should be located far enough away from the pumping equipment such that it can be reached safely in an emergency situation.

SUGGESTED OPERATION & MAINTENANCE

OPERATION: Pump discharge rate can be controlled by limiting the volume and/or pressure of the air supply to the pump (preferred method). An air regulator is used to regulate air pressure. A needle valve is used to regulate volume. Pump discharge rate can also be controlled by throttling the pump discharge by partially closing a valve in the discharge line of the pump. This action increases friction loss which reduces flow rate. This is useful when the need exists to control the pump from a remote location. When the pump discharge pressure equals or exceeds the air supply pressure, the pump will stop; no bypass or pressure relief valve is needed, and pump damage will not occur. The pump has reached a “deadhead” situation and can be restarted by reducing the fluid discharge pressure or increasing the air inlet pressure. The Wilden T15 pump runs solely on compressed air and does not generate heat, therefore your process fluid temperature will not be affected.

RECORDS: When service is required, a record should be made of all necessary repairs and replacements. Over a period of time, such records can become a valuable tool for predicting and preventing future maintenance problems and unscheduled downtime. In addition, accurate records make it possible to identify pumps that are poorly suited to their applications.

MAINTENANCE AND INSPECTIONS: Since each application is unique, maintenance schedules may be different for every pump. Frequency of use, line pressure, viscosity and abrasiveness of process fluid all affect the parts life of a Wilden pump. Periodic inspections have been found to offer the best means for preventing unscheduled pump downtime. Personnel familiar with the pump's construction and service should be informed of any abnormalities that are detected during operation.

TROUBLESHOOTING – AIR CONTROLLED***Pump will not run or runs slowly.***

1. Check air inlet screen and air filter for debris.
2. Check for sticking air valve, flush air valve in solvent.
3. Check for worn out air valve. If piston face in air valve is shiny instead of dull, air valve is probably worn beyond working tolerances and must be replaced.
4. Check center block Glyd™ rings. If worn excessively, they will not seal and air will simply flow through pump and out air exhaust. Use only Wilden Glyd™ rings as they are of special construction.
5. Check for rotating piston in air valve.
6. Check type of lubricant being used. A higher viscosity oil than suggested may cause the piston to stick or run erratically. Wilden suggests the use of an oil with arctic characteristics (ISO 15-5 wt.).

Pump runs but little or no product flows.

1. Check for pump cavitation; slow pump speed down to match thickness of material being pumped.
2. Check for sticking ball check valves. If material being pumped is not compatible with pump elastomers, swelling may occur. Replace ball check valves and o-rings with the proper elastomers.
3. Check to make sure all suction connections are air tight, especially clamp bands around intake balls.

Pump air valve freezes.

Check for excessive moisture in compressed air. Either install dryer or hot air generator for compressed air.

Air bubbles in pump discharge.

1. Check for ruptured diaphragm.
2. Check tightness of clamp bands, especially at intake manifold.

Product comes out air exhaust.

1. Check for diaphragm rupture.
2. Check tightness of piston plates to shaft.

Pump rattles.

1. See E9 Troubleshooting Guide.
2. Create false discharge head or suction lift.

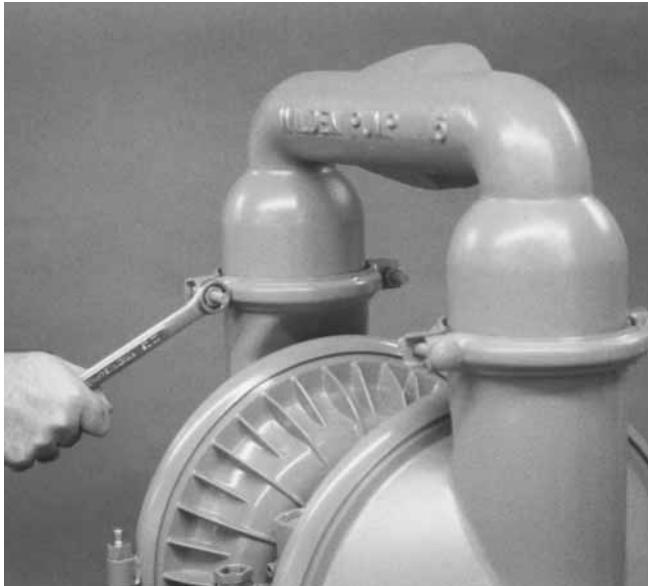
CAUTION: Before any maintenance or repair is attempted, the compressed air line to the pump should be disconnected and all air pressure allowed to bleed from the pump. Disconnect all intake, discharge, and air lines. Drain the pump by turning it upside down and allowing any fluid to flow into a suitable container. Be aware of any hazardous effects of contact with your process fluid.

The Wilden T15 has a 76 mm (3") inlet and 76 mm (3") outlet and is designed for flows up to 878 lpm (232 gpm). The T15 is available in aluminum, cast iron or 316 stainless steel wetted parts. The center block is available in polypropylene, aluminum, nickel-plated aluminum, and 316 stainless steel. Air valves come in brass, nickel-plated brass or 316 stainless steel. A variety of diaphragms, valve balls, valve seats and o-rings are available to satisfy temperature, chemical compatibility, abrasion and flex concerns. All o-rings used in the pump are of a special material and shore hardness that should only be replaced with factory-supplied parts.

TOOLS REQUIRED:

Adjustable Wrench
 11/16" Box Socket
 3/4" Box Wrench
 3/4" Socket
 Adjustable Wrench
 Vise equipped with soft jaws (such as plywood, plastic or other suitable material)

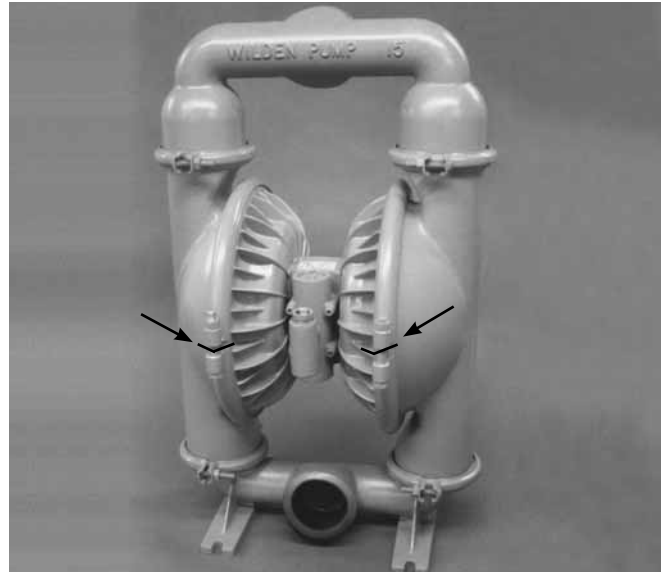
NOTE: The model used for these instructions incorporates rubber diaphragms, balls, and seats. Models with PTFE diaphragms, balls and seats are the same except where noted. The procedures for A15 Accu-Flo™ pumps are the same except for the air distribution system.



Step 2.

Figure 2

Utilizing the 11/16" box wrench, remove the two small clamp bands that fasten the discharge manifold to the liquid chambers.

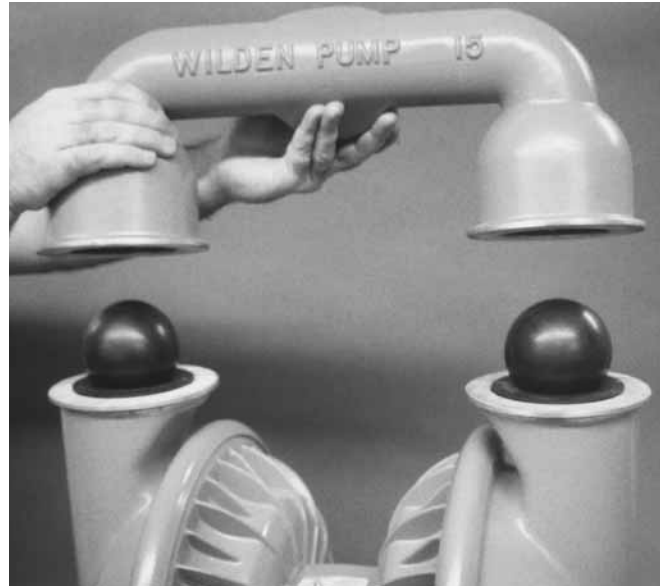


DISASSEMBLY:

Figure 1

Step 1.

Before starting disassembly, mark a line from each liquid chamber to its corresponding air chamber. This line will assist in proper alignment during reassembly.

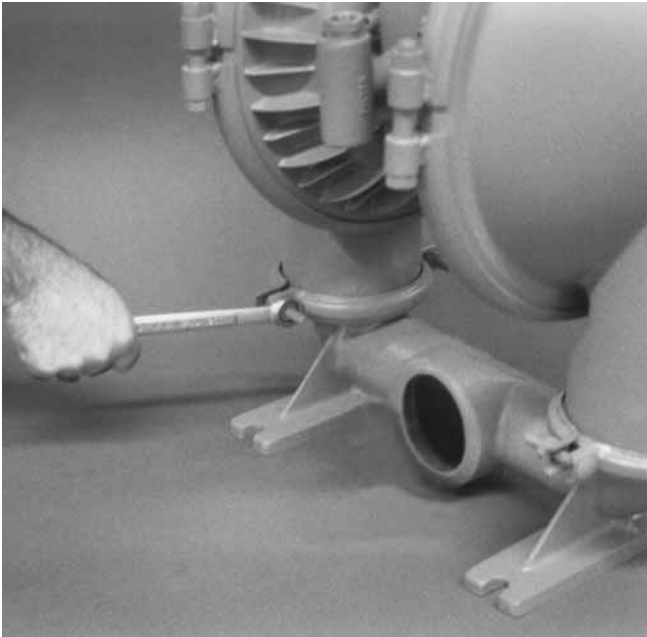


Step 3.

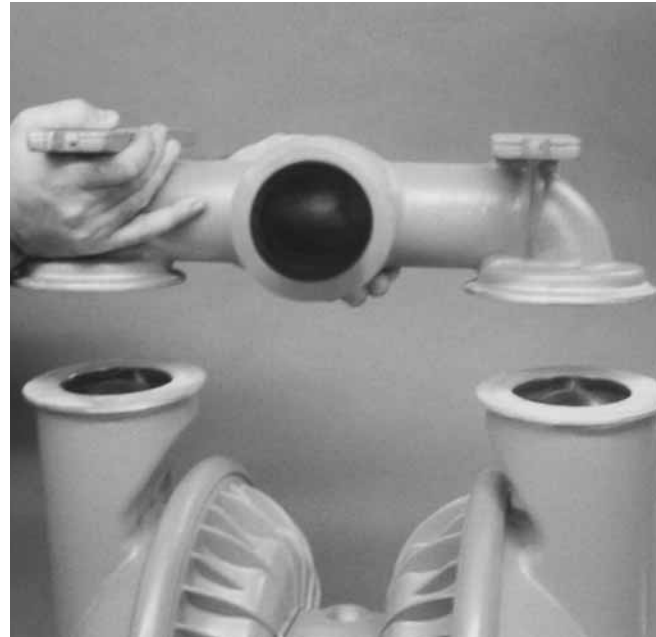
Figure 3

Remove the discharge manifold to expose the valve balls and seats. Inspect the ball cage area of the manifold for excessive wear or damage. Remove the discharge valve balls, seats and o-rings from the discharge manifold and inspect for nicks, gouges, chemical attack or abrasive wear. Replace worn parts with genuine Wilden parts for reliable performance. PTFE o-rings should be replaced when reassembled.

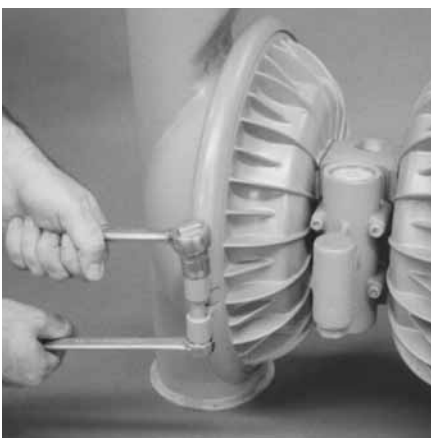
DISASSEMBLY/REASSEMBLY



Step 4. *Figure 4*
Remove the two small clamp bands that fasten the intake manifold to the liquid chambers.



Step 5. *Figure 5*
Lift the intake manifold away to expose the valve balls and seats. Inspect intake valve ball cage for excessive wear or damage. Remove the intake valve balls, seats and o-rings from the discharge manifold and inspect for nicks, gouges, chemical attack or abrasive wear. Replace worn parts with genuine Wilden parts for reliable performance. PTFE o-rings should be replaced when reassembled.



Step 6. *Figure 6*
With 3/4" socket and 3/4" box wrench, remove one set of large clamp bands that attach liquid chamber to center section assembly.



Step 7. *Figure 7*
Lift liquid chamber away from center section to expose diaphragm and outer piston.



Step 8. *Figure 8*
Using an adjustable wrench, or by rotating the diaphragm by hand, remove the diaphragm assembly.

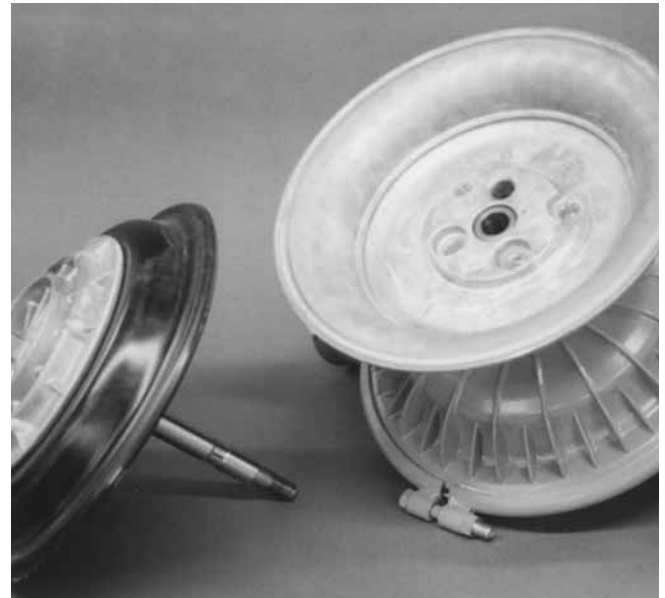
DISASSEMBLY/REASSEMBLY



Step 9A.

Figure 9A

NOTE: Due to varying torque values, one of the following two conditions may occur: 1) The outer piston, diaphragm and inner piston remain attached to the shaft and the entire assembly can be removed from the center section.



Step 9B.

Figure 9B

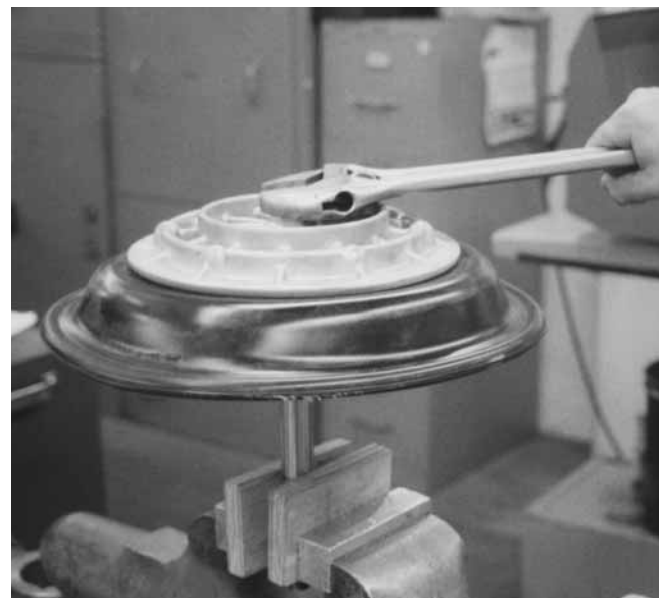
2) The outer piston, diaphragm, and inner piston separate from the shaft which remains connected to the opposite side diaphragm assembly. Repeat disassembly instructions for opposite liquid chamber. Inspect diaphragm assembly and shaft for signs of wear or chemical attack. Replace all worn parts with genuine Wilden parts for reliable performance.



Step 10.

Figure 10

Use a socket wrench to disassemble the diaphragm assembly if replacement is necessary.



Step 11.

Figure 11

To remove diaphragm assembly from shaft, secure shaft with soft jaws (a vise fitted with plywood, plastic, or other suitable material) to ensure shaft is not nicked, scratched or gouged. Using an adjustable wrench, remove diaphragm assembly from shaft.

AIR VALVE / CENTER BLOCK DISASSEMBLY

The air valve assembly consists of both the air valve body and piston and the center block. The unique design of the air valve relies only on differential pressure to effect the diaphragm shift. It is reliable and simple to maintain. The bushing in the center block, along with the diaphragm shaft, provides the "trigger" to tell the air valve to shift. The following procedure will ensure that the air valve on your Wilden pump will provide long trouble-free service.

AIR VALVE BODY AND PISTON ASSEMBLY AND DISASSEMBLY:

The air valve body and piston can be disconnected from the pump by removing the four socket head cap screws which attach it to the center block. The piston in the air valve is aluminum with a dark gray anodized coating. The piston should move freely and the ports in the piston should line up with the ports on the face of the air valve body (see below). The piston should also appear to be a dull, dark gray in color. If the piston appears to be a shiny aluminum color, the air valve is probably worn beyond working tolerance and should be replaced.

If the piston does not move freely in the air valve, the entire air valve should be immersed in a cleaning solution.

NOTE: Do not force the piston by inserting a metal object. This soaking should remove any accumulation of sludge and grit which is preventing the air valve piston from moving freely. Also, remove and clean the air valve screen. If the air valve piston does not move freely after the above cleaning, the air valve should be disassembled as follows: remove the snap ring from the top end of the air valve cylinder and apply an air jet to the 3/16-inch hole on the opposite end of the air valve face. (See Figure C.) **CAUTION:** The air valve end cap may come out with considerable force. Hand protection such as a padded glove or rag should be used to capture the end cap.

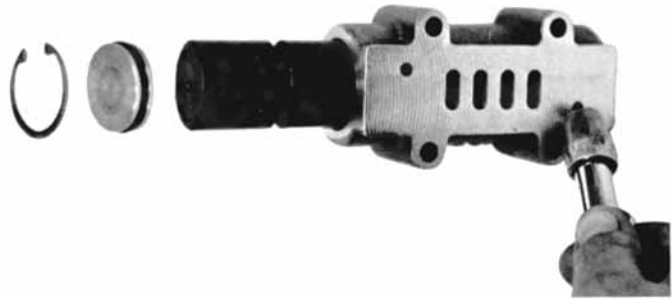


Figure C

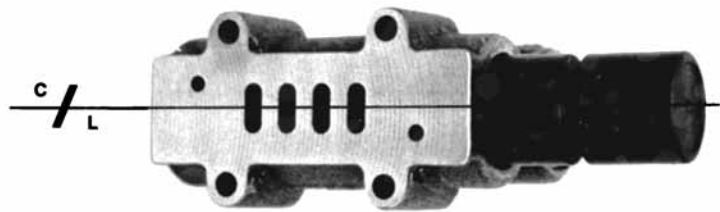
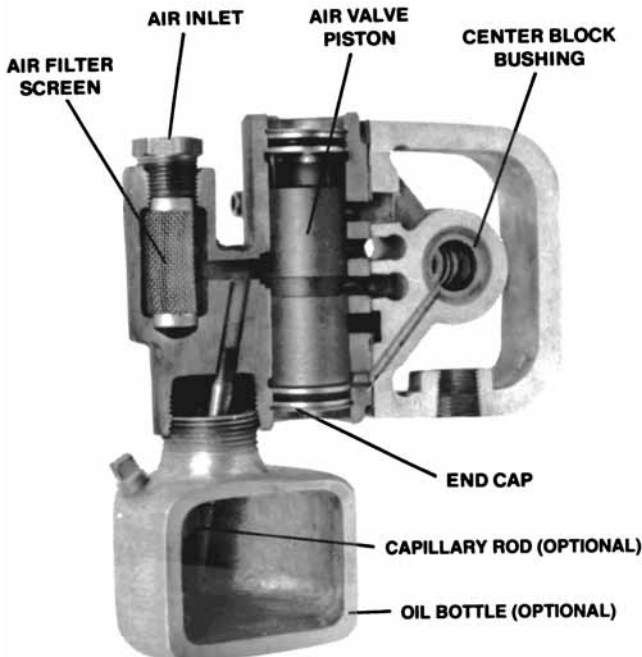


Figure D



NOTE: Air valve available with or without oil bottle and capillary rod.

Figure B

AIR VALVE / CENTER BLOCK DISASSEMBLY

Small nicks can usually be dressed out and the piston returned to service. Make sure that the guide pin is straight and smooth or the piston will not move freely in the cylinder. Clean out anti-centering pin holes located at each side of the piston. Pin holes are located on each side of the annular groove on the top of the piston and travel to each end. New o-rings should be installed on the end caps. Lubricate the o-rings and install the end caps, assuring that proper alignment of the piston and cylinder ports is maintained. (See Figure D). Reinstall air valve to center block of pump. Tighten per the torque specifications in Section 8E.

GLYD™ RING REPLACEMENT:

When the Glyd™ rings become worn, they will no longer seal and must be replaced. Due to the design characteristics of the Glyd™ rings, it is suggested that you use the Ringer Seal installation kit when replacing Glyd™ rings (P/N 15-9341-99). Consult EOM-Ringer for installation instructions.

CENTER BLOCK ASSEMBLY:

The pump's center block consists of a polypropylene or die cast housing with a cast-in bronze bushing. The bushing has eleven grooves cut on the inside diameter. There are seven Glyd™ rings that fit in these grooves (see Figure E). Since these Glyd™ rings form a part of the shifting function of the pump, it is necessary that they be located in the proper grooves. The bronze bushing is replaceable in cast iron or stainless steel center blocks only. When bushing wear becomes excessive, a new center block must be used.

Grooves in bushing which contain Glyd™ rings

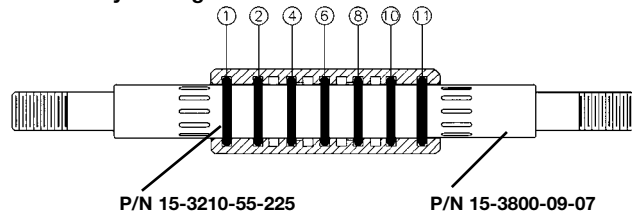


Figure E



Figure F (Side View)

P/N 15-3300-07 Bronze Bushing can be pressed into a stainless steel or cast iron center section. (See Figure F). When installing a new bushing, four bleeder holes which allow the pump to exhaust air must be drilled. A 7/32" drill should be used. (See Figure G).

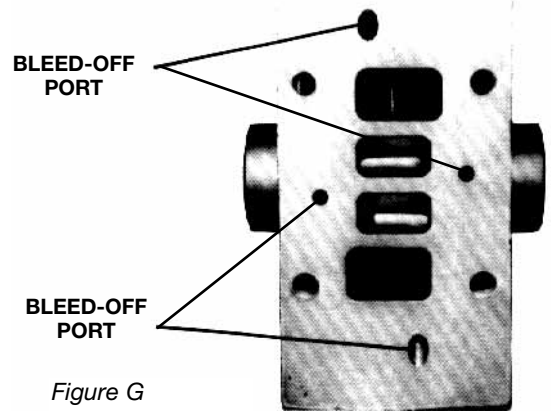


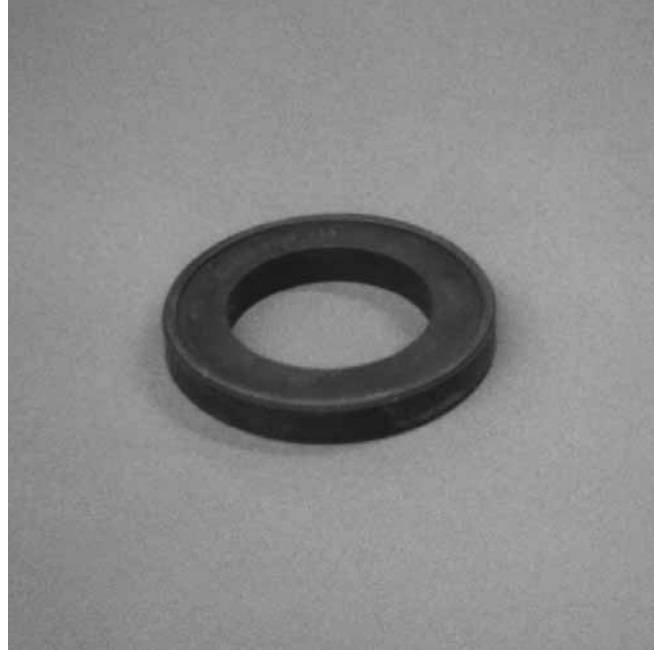
Figure G
Center Block
(Front View)

REASSEMBLY HINTS & TIPS

ASSEMBLY:

Upon performing applicable maintenance to the air distribution system, the pump can now be reassembled. Please refer to the disassembly instructions for photos and parts placement. To reassemble the pump, follow the disassembly instructions in reverse order. The air distribution system needs to be assembled first, then the diaphragms and finally the wetted path. Failure to replace worn parts with genuine Wilden parts will nullify any warranty offered by Wilden Pump & Engineering, LLC. Please find the applicable torque specifications on this page. The following tips will assist in the assembly process.

- Clean the inside of the center section shaft bushing to ensure no damage is done to new seals.
- Stainless bolts should be lubed to reduce the possibility of seizing during tightening.
- Level the water chamber side of the intake/discharge manifolds to ensure a proper sealing surface. This is most easily accomplished by placing them on a flat surface prior to tightening their clamp bands to the desired torque. (See this page for torque specifications.)
- Be sure to tighten outer pistons simultaneously on PTFE-fitted pumps to ensure proper torque values.
- Place one liquid chamber on its side and align center section with chamber using alignment marks made during disassembly before tightening large clamp bands. Push down on opposite side diaphragm assembly until diaphragm is inverted. Place opposite liquid chamber on center section and align.

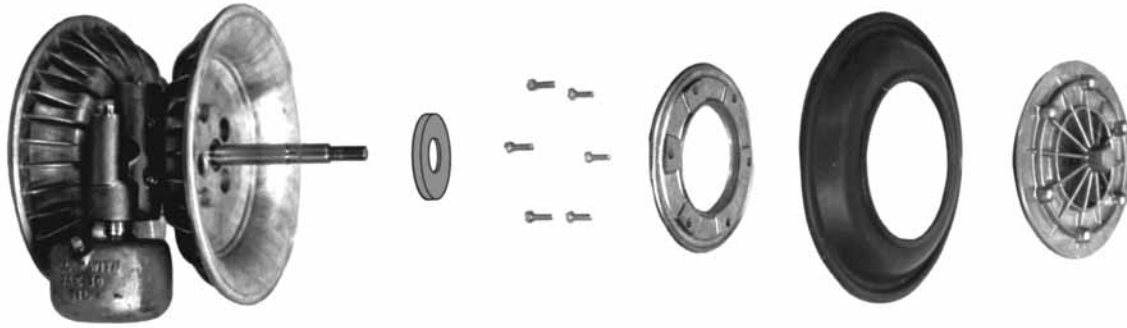


When reinstalling elastomeric valve seats, make sure the beveled surface mates with the manifold for proper sealing characteristics.

MAXIMUM TORQUE SPECIFICATIONS

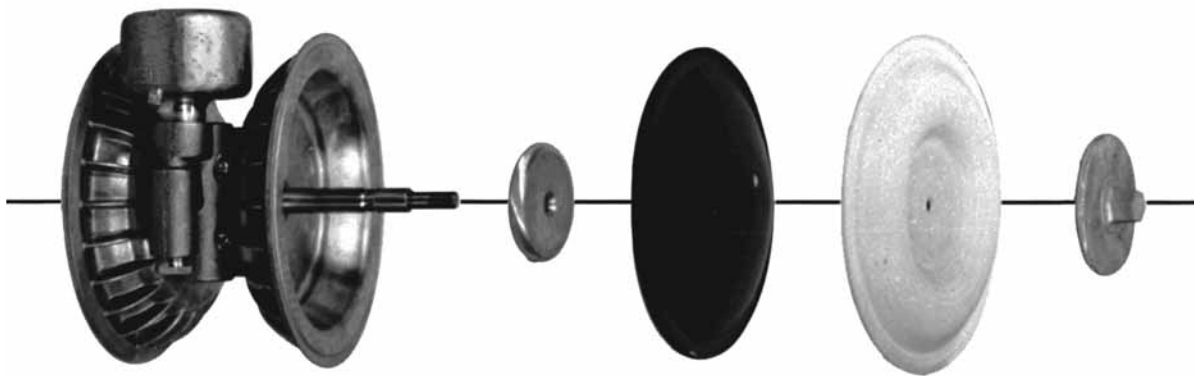
Description of Part	Metal Pumps
Air Valve	9.0 N•m (80 in-lbs)
Outer Piston	135.6 N•m (100 ft-lbs)
Small Clamp Band (PTFE-fitted)	15.5 N•m (137 in-lbs)
Small Clamp Band (Rubber-fitted)	5.6 N•m (50 in-lbs)
Large Clamp Band (All)	47.4 N•m (35 ft-lbs)
Air Chambers	27.1 N•m (20 ft-lbs)
Center Block Assembly	27.1 N•m (20 ft-lbs)
2C-Ring Inner Piston	18.9 N•m (14 ft-lbs)
Metal Screen & Inlet Cover	9.0 N•m (80 in-lbs)
Polyurethane Screen & Inlet Cover	2.3 N•m (20 in-lbs)
Stallion Handles	40.7 N•m (30 ft-lbs)

EXPLODED VIEW (RUBBER DIAPHRAGMS)



Inner piston ring maximum torque rating: refer to Section 8D.

EXPLODED VIEW (PTFE DIAPHRAGMS)

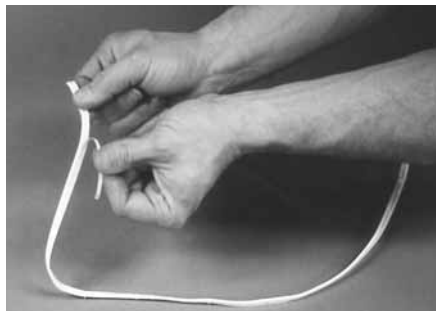


TURBO-FLO™
PROGRESSIVE PUMP TECHNOLOGY

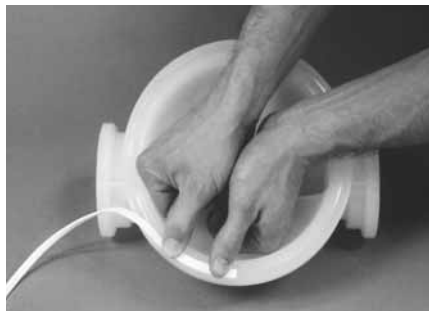
GASKET KIT INSTALLATION

Only aluminum and cast iron pumps come standard with expanded PTFE Gasket Kits (P/N 15-9500-99). Carefully prepare sealing surfaces by removing all debris and foreign matter from diaphragm bead and all mating surfaces. If neces-

sary, smooth or deburr all sealing surfaces. Mating surfaces must be properly aligned in order to ensure positive sealing characteristics.



Step 1. *Figure 1*
Gently remove the adhesive covering from the back of the PTFE tape. Ensure that the adhesive strip remains attached to the PTFE tape.



Step 2. *Figure 2*
Starting at any point, place the PTFE tape in the center of the diaphragm bead groove on the liquid chamber and press lightly on the tape to ensure that the adhesive holds it in place during assembly. Do not stretch the tape during placement in center of diaphragm bead groove.



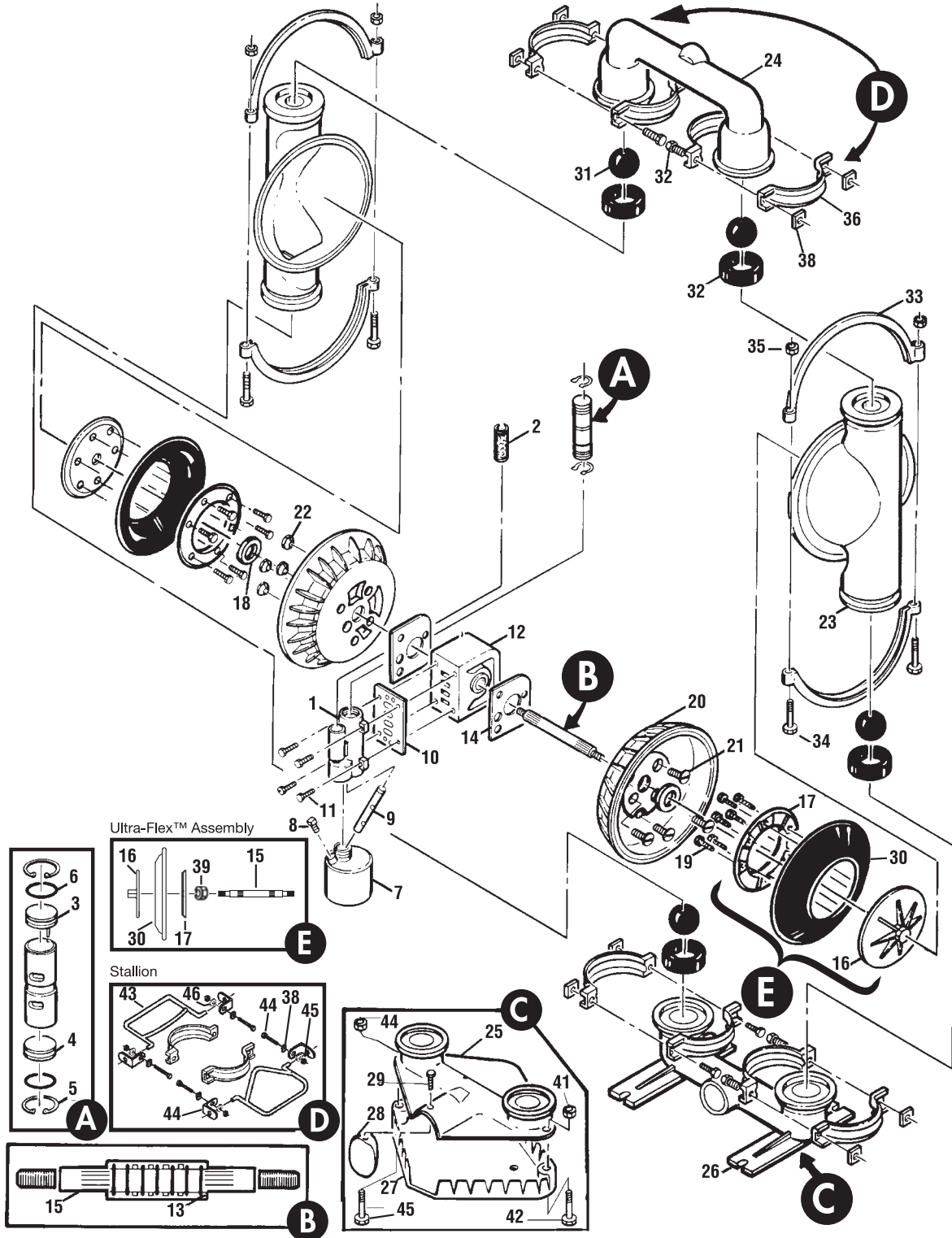
Step 3. *Figure 3*
The ends of the tape should overlap approximately 13 mm (1/2"). Proceed to install the PTFE tape on the remaining liquid chamber.

EXPLODED VIEW & PARTS LISTING

T15 METAL

Rubber/TPE-Fitted

EXPLODED VIEW



EXPLODED VIEW & PARTS LISTING

T15 METAL

Rubber/TPE-Fitted

PARTS LISTING

Item	Description	Qty.	T15/ AAAPB/0030 P/N	T15/ AAAPB P/N	T15/ AAAAB/0030 P/N	T15/ AAAAD/0050 P/N
1	Air Valve Assembly¹	1	15-2000-07	15-2000-07	15-2000-07	15-2080-07
2	Air Valve Screen	1	08-2500-07	08-2500-07	08-2500-07	08-2500-07
3	Air Valve End Cap with Guide (Top)	1	15-2300-23	15-2300-23	15-2300-23	15-2300-23
4	Air Valve End Cap without Guide (Bottom)	1	15-2330-23	15-2330-23	15-2330-23	15-2330-23
5	Air Valve Snap Ring	2	15-2650-03	15-2650-03	15-2650-03	15-2650-03
6	Air Valve Cap O-Ring	2	15-2390-52	15-2390-52	15-2390-52	15-2390-52
7	Oil Bottle (Optional)	1	15-2850-01	15-2850-01	15-2850-01	15-2850-01
8	Plug (Optional) 3/8"	1	15-7000-07	15-7000-07	15-7000-07	15-7000-07
9	Capillary Rod (Optional)	1	15-2900-99	15-2900-99	15-2900-99	15-2900-99
10	Air Valve Gasket — Buna-N	1	15-2600-52	15-2600-52	15-2600-52	15-2600-52
11	Air Valve Screw 5/16"-18 x 2-1/4"	4	08-6000-08	08-6000-08	08-6000-08	08-6000-08
12	Center Block	1	15-3100-01-225	15-3100-01-225	15-3100-01-225	15-3100-01-225
13	Center Block Glyd™ Ring	7	15-3210-55-225	15-3210-55-225	15-3210-55-225	15-3210-55-225
14	Block Gasket — Buna-N	2	15-3520-52	15-3520-52	15-3520-52	15-3520-52
15	Shaft	1	15-3800-09-07	15-3800-09-07	15-3800-09-07	15-3800-09-65
	Shaft, Ultra-Flex™	1	15-3800-09-65	15-3800-09-65	15-3800-09-65	15-3800-09-65
16	Piston, Outer	2	15-4550-01	15-4550-01	15-4550-01	N/A
	Piston, Outer, Ultra-Flex™	2	15-4560-01	15-4560-01	15-4560-01	15-4560-01
17	Piston, Inner	2	15-3700-01	15-3700-01	15-3700-01	N/A
	Piston, Inner, Ultra-Flex™	2	15-3760-08	15-3760-08	15-3760-08	15-3760-08
18	Washer, Inner Piston Back-up	2	15-6850-08	15-6850-08	15-6850-08	N/A
19	Piston Assembly — Bolt ² 3/8"-16 x 1-1/8"	12	15-6130-08	15-6130-08	15-6130-08	15-6130-08
	Washer, Flat (Not shown)	12	15-6720-08	15-6720-08	15-6720-08	15-6720-08
20	Air Chamber	2	15-3650-01	15-3650-01	15-3650-01	15-3650-01
21	Air Chamber Screw 3/8"-16 x 4"	4	15-6200-08	15-6200-08	15-6200-08	15-6200-08
22	Air Chamber Cone Nut 3/8"-16	4	08-6550-08	08-6550-08	08-6550-08	08-6550-08
23	Liquid Chamber	2	15-5000-01	15-5000-01	15-5000-01	15-5000-01
24	Discharge Manifold	1	15-5020-01	15-5020-01	15-5020-01	15-5020-01
25	Inlet Housing — Screened	1	15-5080-01-30	N/R	15-5080-01-30	15-5080-01-30
26	Inlet Housing for Footed Base	1	N/R	15-5080-01	N/R	N/R
27	Screen (for P/N 15-5080-01-30 & 15-5080-01-33)	1	15-5620-01	N/R	15-5620-01	15-5620-01
28	Suction Hook-up Cover	1	15-5660-01	N/R	15-5660-01	15-5660-01
29	Hex Head Machine Screw 3/8"-16 x 7/8"	1	08-6140-08	N/R	08-6140-08	08-6140-03
30	Diaphragm*	2	*	*	*	*
31	Valve Ball*	4	*	*	*	*
32	Valve Seat*	4	*	*	*	*
33	Large Clamp Band Assy.	2	15-7300-08	15-7300-08	15-7300-08	15-7300-08
34	Large Carriage Bolt 1/2"-13 x 3-1/2"	4	15-6120-08	15-6120-08	15-6120-08	15-6120-08
35	Large Hex Nut 1/2"-13	4	15-6420-08	15-6420-08	15-6420-08	15-6420-08
36	Small Clamp Band Assy.	4	15-7100-08	15-7100-08	15-7100-08	15-7100-08
37	Small Carriage Bolt 3/8"-16 x 2"	8	15-6050-08	15-6050-08	15-6050-08	15-6050-08
38	Small Hex Nut 3/8"-16	8	08-6450-08	08-6450-08	08-6450-08	08-6450-08
	Muffler (not shown)	1	15-3510-99	15-3510-99	15-3510-99	N/R
39	Stallion Ultra-Flex™ Spacer	2	N/R	N/R	N/R	15-6900-23-50
40	Check Body (not shown)	1	15-3550-01	N/R	15-3550-01	15-3550-01
	Nipple 1" x Close (not shown)	1	15-7420-08	N/R	15-7420-08	15-7420-08
	Check Ball (not shown)	1	15-1450-51	N/R	15-1450-51	15-1450-51
41	Hex Nut 3/8"-16 ⁶	2	08-6450-08	N/R	08-6450-08	08-6450-03
42	Hex Head Machine Screw 3/8"-16 x 3" ⁶	2	08-6120-08	N/R	08-6120-08	08-6120-03
	Hex Head Machine Screw 3/8"-16 x 3" Stallion	3	08-6120-08	N/R	08-6120-08	08-6120-03
43	Handle, Collapsible ⁵	2	N/R	N/R	N/R	15-7250-08
44	Bracket, Handle	4	N/R	N/R	N/R	15-7410-08
45	Small Hex Nut 3/8"-16	4	N/R	N/R	N/R	08-6450-08
46	Washer, Flat	4	N/R	N/R	N/R	15-6740-08-50

*Refer to corresponding elastomer chart in Section 9.

¹Air Valve Assembly includes items 2–7.

²Piston Assembly bolt (P/N 15-6130-08) utilizes a 3/8" washer (15-6720-08).

³DO NOT hang T15 Stallion pumps by their handles.

⁶Stallion pumps require three (3) each (P/N's 08-6450-03 and 08-6120-03).

NOTE: Stallion pumps come standard with rubber Ultra-Flex™ diaphragms.

0030 Specialty Code = Screen Based

0050 Specialty Code = Stallion

All boldface items are primary wear parts.

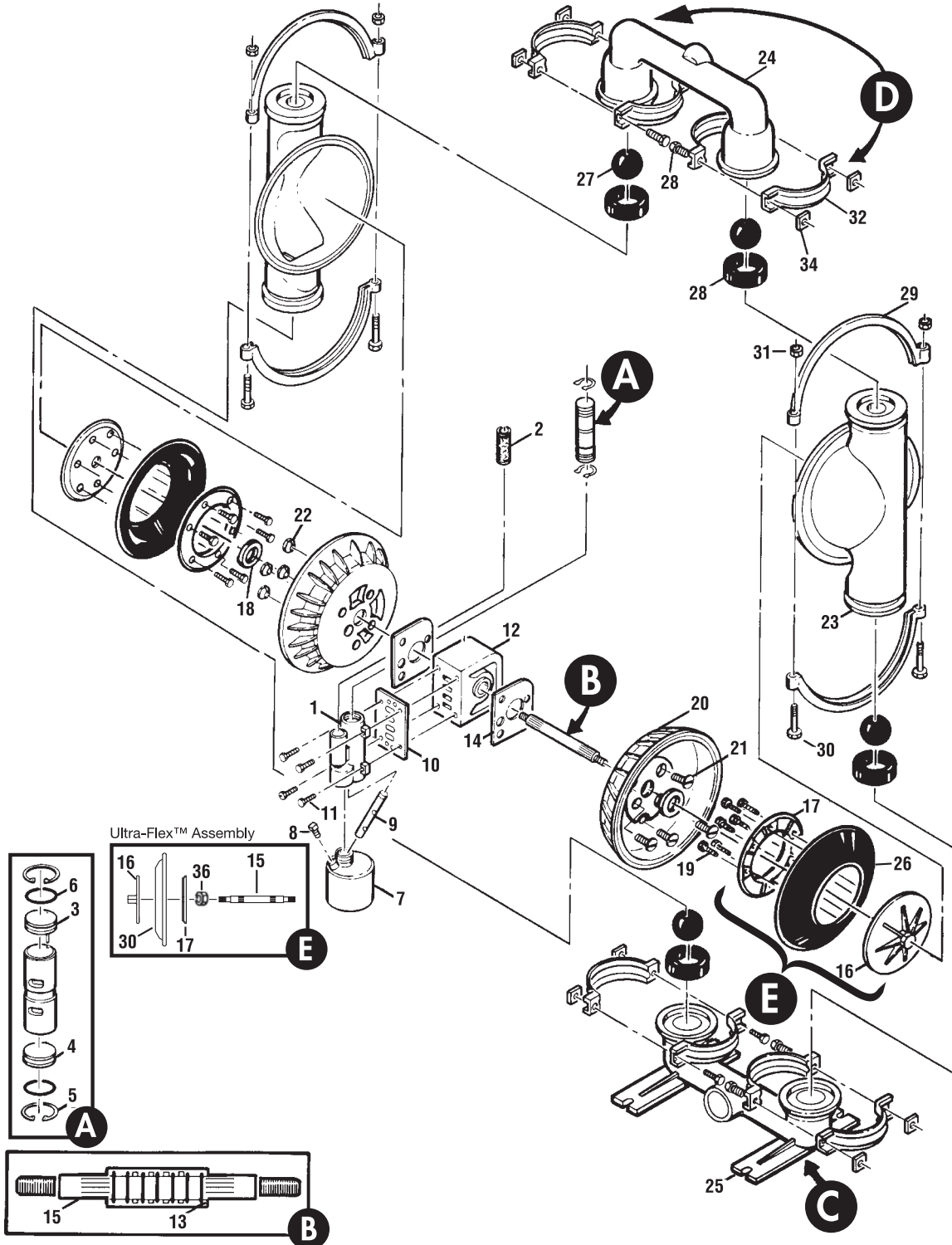
Rubber-fitted models continue on pages 20–21.

EXPLODED VIEW & PARTS LISTING (CONT.)

T15 METAL

Rubber/TPE-Fitted

EXPLODED VIEW



EXPLODED VIEW & PARTS LISTING (CONT.)

T15 METAL

Rubber/TPE-Fitted

PARTS LISTING

Item	Description	Qty.	T15/SSSSS P/N	T15/WAAAB/0050 ³ P/N
1	Air Valve Assembly¹	1	15-2000-03	15-2000-07
2	Air Valve Screen	1	08-2500-03	08-2500-07
3	Air Valve End Cap with Guide (Top)	1	15-2300-03	15-2300-23
4	Air Valve End Cap without Guide (Bottom)	1	15-2330-03	15-2330-23
5	Air Valve Snap Ring	2	15-2650-03	15-2650-03
6	Air Valve Cap O-Ring	2	15-2390-52	15-2390-52
7	Oil Bottle (Optional)	1	N/A	15-2850-01
8	Plug (Optional) 3/8"	1	N/A	15-7000-07
9	Capillary Rod (Optional)	1	N/A	15-2900-99
10	Air Valve Gasket — Buna-N	1	15-2600-52	15-2600-52
11	Air Valve Screw 5/16"-18 x 2-1/4"	4	08-6000-03	08-6000-03
12	Center Block	1	15-3100-03-225	15-3100-20-225
13	Center Block Glyd™ Ring	7	15-3210-55-225	15-3210-55-225
14	Block Gasket — Buna-N	2	15-3520-52	15-3520-52
15	Shaft	1	15-3800-09-07	15-3800-09-07
	Shaft, Ultra-Flex™	1	15-3800-09-65	15-3800-09-65
16	Piston, Outer	2	15-4550-03	15-4550-02
	Piston, Outer, Ultra-Flex™	2	15-4560-03	15-4560-02
17	Piston, Inner	2	15-3700-03	15-3700-01
	Piston, Inner, Ultra-Flex™	2	15-3760-08	15-3760-08
18	Washer, Inner Piston Back-up	2	15-6850-08	15-6850-08
19	Piston Assembly — Bolt 3/8"-16 x 1-1/8" ²	12	15-6130-08	15-6130-08
20	Air Chamber	2	15-3650-03	15-3650-01
21	Air Chamber Screw 3/8"-16 x 4"	4	15-6200-03	15-6200-08
22	Air Chamber Cone Nut 3/8"-16	4	08-6550-03	08-6550-08
23	Liquid Chamber	2	15-5000-03	15-5000-02
24	Discharge Manifold	1	15-5020-03	15-5020-02
25	Inlet Housing for Footed Base	1	15-5080-03	15-5080-02
26	Diaphragm*	2	*	*
27	Valve Ball*	4	*	*
28	Valve Seat*	4	*	*
29	Large Clamp Band Assy.	2	15-7300-03	15-7300-03
30	Large Carriage Bolt 1/2"-13 x 3-1/2"	4	15-6120-03	15-6120-03
31	Large Hex Nut 1/2"-13	4	15-6420-03	15-6420-03
32	Small Clamp Band Assy.	4	15-7100-03	15-7100-03
	Washer, Flat, 7/8" (not shown)	4	15-6720-07-70	15-6720-07-70
33	Small Carriage Bolt 3/8"-16 x 2"	8	15-6050-03	15-6050-03
34	Small Hex Nut 3/8"-16	8	08-6450-03	08-6450-03
35	Washer, Flat	8	08-6720-07-70	08-6720-07-70
	Muffler (not shown)	1	15-3510-99	15-3510-99
36	Stallion Ultra-Flex™ Spacer	2	N/R	N/R

*Refer to corresponding elastomer chart in Section 9.

¹Air Valve Assembly includes items 2–7.

²Piston Assembly bolt (P/N 15-6130-08) utilizes a 3/8" washer (15-6720-08).

³Stallion pumps require three (3) each (P/N's 08-6450-03 and 08-6120-03).

NOTE: Stallion pumps come standard with rubber Ultra-Flex™ diaphragms.

0030 Specialty Code = Screen Based

0050 Specialty Code = Stallion

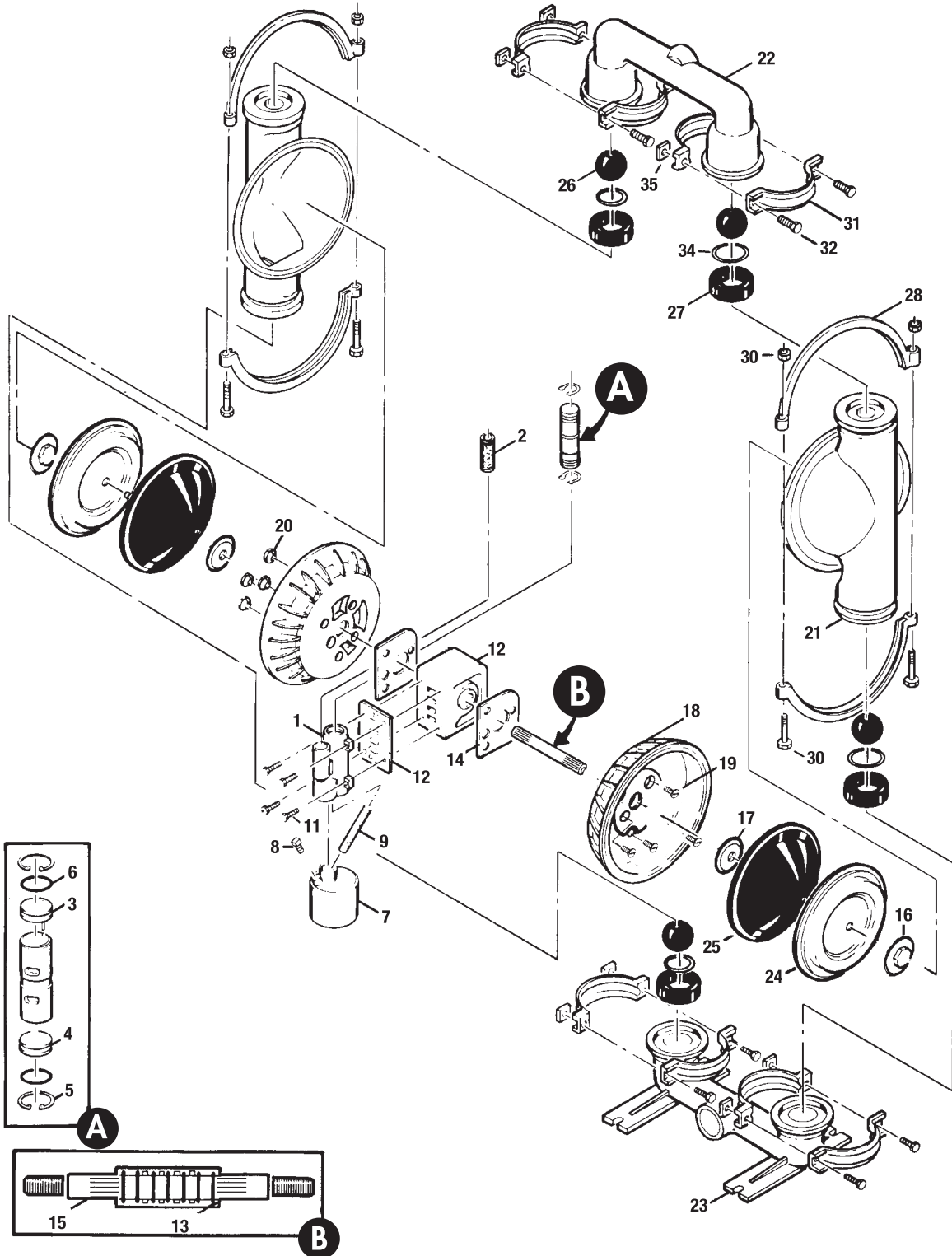
All boldface items are primary wear parts.

EXPLODED VIEW & PARTS LISTING

T15 METAL

PTFE-Fitted

EXPLODED VIEW



EXPLODED VIEW & PARTS LISTING

T15 METAL

PTFE-Fitted

PARTS LISTING

Item	Description	Qty.	T15/AAAPB P/N	T15/AAAAB P/N	T15/SSAPB P/N	T15/SSSSB P/N	T15/SSSSS P/N
1	Air Valve Assembly ¹	1	15-2000-07	15-2000-07	15-2000-07	15-2000-07	15-2000-03
2	Air Valve Screen	1	08-2500-07	08-2500-07	08-2500-07	08-2500-07	08-2500-03
3	Air Valve End Cap w/Guide (top)	1	15-2300-23	15-2300-23	15-2300-23	15-2300-23	15-2300-03
4	Air Valve End Cap without Guide (bottom)	1	15-2330-23	15-2330-23	15-2330-23	15-2330-23	15-2330-03
5	Air Valve Snap Ring	2	15-2650-03	15-2650-03	15-2650-03	15-2650-03	15-2650-03
6	Air Valve Cap O-Ring	2	15-2390-52	15-2390-52	15-2390-52	15-2390-52	15-2390-52
7	Oil Bottle (Optional)	1	15-2850-01	15-2850-01	15-2850-01	15-2850-01	N/A
8	Plug (Optional)	1	15-7000-07	15-7000-07	15-7000-07	15-7000-07	N/A
9	Capillary Rod (Optional)	1	15-2900-99	15-2900-99	15-2900-99	15-2900-99	N/A
10	Air Valve Gasket — Buna-N	1	15-2600-52	15-2600-52	15-2600-52	15-2600-52	15-2600-52
11	Air Valve Screw	4	08-6000-08	08-6000-08	08-6000-03	08-6000-03	08-6000-03
12	Center Block	1	15-3100-20-225	15-3100-01-225	15-3100-20-225	15-3100-03-225	15-3100-03-225
13	Center Block Glyd™ Ring	7	15-3210-55-225	15-3210-55-225	15-3210-55-225	15-3210-55-225	15-3210-55-225
14	Block Gasket — Buna-N	2	15-3520-52	15-3520-52	15-3520-52	15-3520-52	15-3520-52
15	Shaft	1	15-3800-09-07	15-3800-09-07	15-3800-09-07	15-3800-09-07	15-3800-09-07
16	Piston, Outer	2	15-4600-03	15-4600-03	15-4600-03	15-4600-03	15-4600-03
17	Piston, Inner	2	15-3750-03	15-3750-03	15-3750-03	15-3750-03	15-3750-03
18	Air Chamber	2	15-3650-01	15-3650-01	15-3650-01	15-3650-03	15-3650-03
19	Air Chamber Screw	4	15-6200-08	15-6200-08	15-6200-08	15-6200-03	15-6200-03
20	Air Chamber Cone Nut	4	08-6550-08	08-6550-08	08-6550-08	08-6550-03	08-6550-03
21	Liquid Chamber	2	15-5000-01	15-5000-01	15-5000-03	15-5000-03	15-5000-03
22	Discharge Manifold	1	15-5020-01	15-5020-01	15-5020-03	15-5020-03	15-5020-03
23	Inlet Manifold	1	15-5080-01	15-5080-01	15-5080-03	15-5080-03	15-5080-03
24	Diaphragm	2	15-1010-55	15-1010-55	15-1010-55	15-1010-55	15-1010-55
25	Back-up Diaphragm	2	15-1060-51	15-1060-51	15-1060-51	15-1060-51	15-1060-51
26	Valve Ball	4	15-1080-55	15-1080-55	15-1080-55	15-1080-55	15-1080-55
27	Valve Seat	4	15-1121-01	15-1121-01	15-1121-03	15-1121-03	15-1121-03
28	Large Clamp Band Assy.	2	15-7300-03	15-7300-03	15-7300-03	15-7300-03	15-7300-03
29	Large Carriage Bolt	4	15-6120-03	15-6120-03	15-6120-03	15-6120-03	15-6120-03
30	Large Hex Nut ²	4	15-6420-03	15-6420-03	15-6420-03	15-6420-03	15-6420-03
31	Small Clamp Band Assy.	4	15-7100-03	15-7100-03	15-7100-03	15-7100-03	15-7100-03
	Washer, Flat, 7/8" (not shown)	4	15-6720-07-70	15-6720-07-70	15-6720-07-70	15-6720-07-70	15-6720-07-70
32	Small Carriage Bolt	8	15-6050-03	15-6050-03	15-6050-03	15-6050-03	15-6050-03
33	Small Hex Nut ³	8	08-6450-03	08-6450-03	08-6450-03	08-6450-03	08-6450-03
34	PTFE Valve Seat O-Ring	4	15-1200-55	15-1200-55	15-1200-55	15-1200-55	15-1200-55
	Muffler (not shown)	1	15-3510-99	15-3510-99	15-3510-99	15-3510-99	15-3510-99
	Washer, Flat (not shown)	8	08-6720-07-70	08-6720-07-70	08-6720-07-70	08-6720-07-70	08-6720-07-70

¹Air Valve Assembly includes parts thru 15-2390-52.

²T15/SSSN pump large clamp band comes with 15-6670-03-70 wing nut and 15-6720-07-70 washer.

³T15/SSSN pump small clamp band comes with 08-6670-03-72 wing nut and 08-6720-07-70 washer.

All boldface items are primary wear parts.

ELASTOMER OPTIONS – AIR CONTROLLED

Elastomer Options for T15 Metal Pumps

MATERIAL	Diaphragms (2) P/N	ULTRA-FLEX™ DIAPHRAGMS (2) P/N	VALVE SEAT* VALVE BALLS (4) P/N	VALVE SEATS (4) P/N	O-RINGS (4) P/N
Buna-N	15-1010-52	15-1020-52	15-1080-52	15-1120-52	N/A
Neoprene	15-1010-51	15-1020-51	15-1080-51	15-1120-51	N/A
EPDM	15-1010-54	15-1020-54	15-1080-54	15-1120-54	N/A
Polyurethane	15-1010-50	N/A	15-1080-50	15-1120-50	N/A
Saniflex™	15-1010-56	N/A	15-1080-56	15-1120-56	N/A
PTFE	15-1010-55	N/A	15-1080-55	N/A	15-1200-55
Tetra-Flex™ PTFE	15-1010-64	N/A	N/A	N/A	N/A
Viton®	15-1010-53	15-1020-53	15-1080-53	15-1120-53	N/A
Wil-Flex™	15-1010-58	N/A	15-1080-58	15-1120-58	N/A
Fluoro Seal	N/A	N/A	N/A	N/A	15-1200-54
Aluminum	N/A	N/A	N/A	15-1121-01	N/A
Carbon Steel	N/A	N/A	N/A	15-1121-08	N/A
Alloy C	N/A	N/A	N/A	15-1121-04	N/A
Stainless Steel	N/A	N/A	N/A	15-1121-03	N/A
Cast Iron	N/A	N/A	N/A	N/A	N/A

¹PTFE diaphragms utilize a Neoprene back-up diaphragm (P/N 15-1060-51). Please consult your local distributor.

²Metallic valve seats utilize a PTFE o-ring, P/N 15-1200-55. Fluoro-Seal™ is available upon request.

³Ultra-Flex™ diaphragms require a special inner piston (P/N 15-3760-08) and a spacer (P/N 15-6850-08).

*Note: Rubber valve seats do not require an o-ring.

ELASTOMER OPTIONS – STALLION

Elastomer Options for T15 Metal Stallion Pumps

MATERIAL	Diaphragms (2) P/N	VALVE BALLS (4) P/N	VALVE SEATS (4) P/N
Buna-N	15-1020-52	08-1080-52	15-1120-52-50
Neoprene	15-1020-51	08-1080-51	15-1120-51-50
EPDM	15-1020-54	08-1080-54	15-1120-54-50
Viton®	15-1020-53	08-1080-53	15-1120-53-50

For other elastomer options, refer to your BOM Book.

25 mm (1") solids handling capacity available only with Turbo-Flo™ and Ultra-Flex™ diaphragm configuration.

WARRANTY

Each and every product manufactured by Wilden Pump and Engineering, LLC is built to meet the highest standards of quality. Every pump is functionally tested to insure integrity of operation.

Wilden Pump and Engineering, LLC warrants that pumps, accessories and parts manufactured or supplied by it to be free from defects in material and workmanship for a period of five (5) years from date of installation or six (6) years from date of manufacture, whichever comes first. Failure due to normal wear, misapplication, or abuse is, of course, excluded from this warranty.

Since the use of Wilden pumps and parts is beyond our control, we cannot guarantee the suitability of any pump or part for a particular application and Wilden Pump and Engineering, LLC shall not be liable for any consequential damage or expense arising from the use or misuse of its products on any application. Responsibility is limited solely to replacement or repair of defective Wilden pumps and parts.

All decisions as to the cause of failure are the sole determination of Wilden Pump and Engineering, LLC.

Prior approval must be obtained from Wilden for return of any items for warranty consideration and must be accompanied by the appropriate MSDS for the product(s) involved. A Return Goods Tag, obtained from an authorized Wilden distributor, must be included with the items which must be shipped freight prepaid.

The foregoing warranty is exclusive and in lieu of all other warranties expressed or implied (whether written or oral) including all implied warranties of merchantability and fitness for any particular purpose. No distributor or other person is authorized to assume any liability or obligation for Wilden Pump and Engineering, LLC other than expressly provided herein.

PLEASE PRINT OR TYPE AND FAX TO WILDEN

PUMP INFORMATION			
Item # _____		Serial # _____	
Company Where Purchased _____			
YOUR INFORMATION			
Company Name _____			
Industry _____			
Name _____		Title _____	
Street Address _____			
City _____	State _____	Postal Code _____	Country _____
Telephone _____	Fax _____	E-mail _____	Web Address _____
Number of pumps in facility? _____		Number of Wilden pumps? _____	
Types of pumps in facility (check all that apply): <input type="checkbox"/> Diaphragm <input type="checkbox"/> Centrifugal <input type="checkbox"/> Gear <input type="checkbox"/> Submersible <input type="checkbox"/> Lobe			
<input type="checkbox"/> Other _____			
Media being pumped? _____			
How did you hear of Wilden Pump? <input type="checkbox"/> Trade Journal <input type="checkbox"/> Trade Show <input type="checkbox"/> Internet/E-mail <input type="checkbox"/> Distributor			
<input type="checkbox"/> Other _____			

ONCE COMPLETE, FAX TO (909) 783-3440

NOTE: WARRANTY VOID IF PAGE IS NOT FAXED TO WILDEN
WILDEN PUMP & ENGINEERING, LLC