

Mooring Hardware

Chain, Shackles & Swivels



The Sealite Advantage

- Galvanized or black finish
- Range of grades
- Sizes from 10mm to 42mm
- Standard chain shot lengths
- Range of shackle types
- Range of swivel types

In addition to offering complete mooring solutions to complement each Sealite buoy product, Sealite also offers a range of mooring hardware such as chain, shackles and swivels for individual purchase as required.

Chain		
Order Code	Description	Weight per length
CHAIN, GRADE L, GALVANISED		
SL-CHAIN-10-L-ST-GAL	Chain, 10mm, Grade L, Galvanised, 5 Mtr length	11kg
CHAIN, GRADE U2, BLACK		
SL-CHAIN-16-U2-SL-BLK	Chain, 16mm, Grade U2, Black, c/w swivel, 27.5mtr length	150kg
SL-CHAIN-20-U2-SL-BLK	Chain, 20.5mm, Grade U2, Black, c/w swivel 27.5mtr length	285kg
SL-CHAIN-26-U2-SL-BLK	Chain, 26mm, Grade U2, Black, c/w swivel 27.5mtr length	431kg
SL-CHAIN-32-U2-SL-BLK	Chain, 32mm, Grade U2, Black c/w swivel 27.5mtr length	635kg
SL-CHAIN-38-U2-SL-BLK	Chain, 38mm, Grade U2, Black c/w Swivel, 27.5mtr length	888kg
SL-CHAIN-42-U2-SL-BLK	Chain, 42mm, Grade U2, Black, c/w swivel, 27.5mtr length	1084kg

Note: All measurements are in mm. All dimensions are approximate
 Specifications subject to change or variation without notice
 Subject to standard terms and conditions



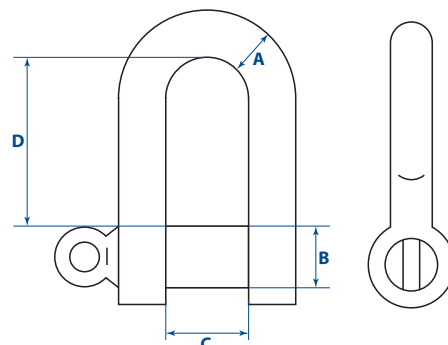
Mooring Hardware

Chain, Shackles & Swivels

Shackle Dimensions

Order Code	Description	A	B	C	D
SHACKLE, DEE, GRADE M, GALVANISED					
SL-SHACKLE-13-M-D-GAL	Shackle, 13mm, Grade M, D, Galvanised	13	16	28	54
SL-SHACKLE-16-M-D-GAL	Shackle, 16mm Grade M, D, Galvanised	16	20	31	61
SL-SHACKLE-22-M-D-GAL	Shackle, 22mm, Grade M, D, Galvanised	22	25	44	83
SL-SHACKLE-25-M-D-GAL	Shackle, 25mm, Grade M, D, Galvanised	25	32	55	104
SL-SHACKLE-25-S-D-GAL	Shackle, 25mm, Grade S, D, Galvanised	25	29	43	81
SL-SHACKLE-32-M-D-GAL	Shackle, 32mm, Grade M, D, Galvanised	32	35	60	114
SL-SHACKLE-32-S-D-GAL	Shackle, 32mm, Grade S, D, Galvanised	32	35	52	100
SHACKLE, JOINING, GRADE U2, BLACK					
SL-SHACKLE-16-U2-J-BLK	Shackle, 16mm, Grade U2, Joining, Black	20	27	24	53
SL-SHACKLE-20-U2-J-BLK	Shackle, 20mm, Grade U2, Joining, Black	27	39	27	65
SL-SHACKLE-26-U2-J-BLK	Shackle, 26mm, Grade U2, Joining, Black	33	41	36	88
SL-SHACKLE-32-U2-J-BLK	Shackle, 32mm, Grade U2, Joining, Black	44	51	45	109
SL-SHACKLE-38-U2-J-BLK	Shackle, 38mm, Grade U2, Joining, Black	49	60	53	129
SL-SHACKLE-42-U2-J-BLK	Shackle, 42mm, Grade U2, Joining, Black	57	70	58	140

Note: All measurements are in mm. All dimensions are approximate. Specifications subject to change or variation without notice. Subject to standard terms and conditions.



Swivel Dimensions

Order Code	Description	A	B	C	D	E	F
SWIVEL, EYE & EYE, GRADE M, GALVANISED							
SL-SWIVEL-10-M-EE-GAL	Swivel, 10mm, Grade M, Eye & Eye, Galvanised	10	26	25	35	110	52
SL-SWIVEL-13-M-EE-GAL	Swivel, 13mm, Grade M, Eye & Eye, Galvanised	13	34	30	46	63	63
SL-SWIVEL-16-M-EE-GAL	Swivel, 16mm, Grade M, Eye & Eye, Galvanised	16	40	44	60	138	76
SWIVEL, EYE & EYE, GRADE U2, BLACK							
SL-SWIVEL-16-U2-EE-BLK	Swivel, 16mm, Grade U2, Eye & Eye, Black	16	48	22	49	289	64
SL-SWIVEL-26-U2-EE-BLK	Swivel, 26mm, Grade U2, Eye & Eye, Black	26	80	38	80	470	105
SL-SWIVEL-32-U2-EE-BLK	Swivel, 32mm, Grade U2, Eye & Eye, Black	32	105	53	105	590	135
SL-SWIVEL-42-U2-EE-BLK	Swivel, 42mm, Grade U2, Eye & Eye, Black	42	135	66	138	777	170

Note: All measurements are in mm. All dimensions are approximate. Specifications subject to change or variation without notice. Subject to standard terms and conditions.

